

# PEKING REVIEW

29

July 19, 1960

## China Stands Consistently in Support of Asian, African and Latin American Peoples' Struggles

Vice-Premier Chen Yi speaks at the receptions held in  
honour of Mongolian and Iraqi National Days (p. 6).

## The Current World Situation and Tasks Of the World Peace Movement

Liao Cheng-chih's speech at the World Peace Council  
Bureau meeting in Stockholm (p. 9).

## Firmly Oppose U.S. Intervention Against Cuba

- 1.—Peking rally supports Cuban people's struggle against  
U.S. imperialism (p. 12).
- 2.—Chinese and Cuban trade union organizations issue  
joint statement (p. 14).

---

*Industrial Aid to Rural Communes  
—A New Way*

北  
京  
周  
報

*Read the latest*

# CHINESE LITERATURE

July 1960

**PRELUDE TO VICTORY** The most interesting section of a novel of the Liberation War by Wu Chiang, who was himself a member of the Chinese People's Liberation Army and participated in the campaigns described in his novel.

**POETRY FOR CUBA** Three poems by Chinese poets composed at a poetry-reading session in Peking answering the call of Alberti and Guillen for funds towards *Avion de Poesia* of Cuba.

*Also included in this issue:*

Chain Reaction of the Anti-Imperialist Struggle (a poem) — *Kuo Mo-jo*

Drums Like Spring Thunder (an essay) — *Liu Pai-yu*

Turgen the Guide (a story) — *Fu Chih-hua*

The First Spring (a story) — *Ulanbangan*

NOTES ON LITERATURE AND ART

NEW BOOKS

CHRONICLE

PLATES

---

# PEOPLE'S CHINA

A Monthly Magazine

Japanese, French and Indonesian speaking readers who are interested in China will find PEOPLE'S CHINA, a monthly now published in these three languages, just the magazine they have been looking for. Each issue contains more than 70 pages with articles on political, economic and cultural development in New China and China's views on international events; features describing the Chinese people's life and work in building socialism and popularly presented background material on China's history, geography, cultural heritage and traditions. Its regular columns include "Cultural Life," "Sports," "General News" and a "Miscellany" of Chinese fables, curios, popular art, etc. There is always a 4-page pictorial, and a full-page reproduction of a Chinese painting. Stamp-collectors will appreciate its regular colour illustrated page on postage stamps. Readers interested in literature will find a short story in every issue. Documents relating to major international and domestic events are published as supplements, provide readers with valuable source material for research and a deepened understanding of China.

---

Published by: **FOREIGN LANGUAGES PRESS**      Pai Wan Chuang, Peking (37), China

Distributed by: **GUOZI SHUDIAN**      P.O. Box 399, Peking, China

# PEKING REVIEW

北京周报

(BEIJING ZHOUBAO)

A WEEKLY MAGAZINE OF CHINESE  
NEWS AND VIEWS

July 19, 1960 Vol. III No. 29

## CONTENTS

### ROUND THE WEEK

As You Sow . . . ; Rural Electrification—The Mass Way; Together with the People; Prospering Homeland; Chinghai Goes Industrial; Literacy Campaign Spreads; World Table Tennis Championships

3

### ARTICLES

Vice-Premier Chen Yi: China's Support for Asian, African and Latin American Peoples' Struggles Is Consistent and Unchangeable

6

The Present International Situation and the Tasks of the World Peace Movement

—Liao Cheng-chih's Speech  
Firmly Oppose U.S. Imperialist Intervention Against Cuba!  
—Our Correspondent

9

Joint Statement of Chinese and Cuban Trade Union Organizations Solidarity with the Congolese People!

12

All-Out Support for the Just Demands of Democratic Republic of Viet Nam

14

—Foreign Minister Chen Yi's Letter in Reply to Foreign Minister Pham Van Dong

16

China Strongly Protests Against Killing of Overseas Chinese at Tjimahi

17

Upholding Friendly Relations Between China and Indonesia  
—*Renmin Ribao* Editorial

18

Industrial Aid to the Rural Communes: A New Way  
—Hua Chu-ching

19

Pushing Back the Deserts of Kansu  
—Hsiao Ming

20

### CHINA AND THE WORLD

Chen Yi on Sino-Nepalese Friendly Relations; Monument to China-G.D.R. Friendship; Chinese Rice Transplanters to Cambodia; Sino-Burmese Joint Survey Team; Ceylonese Dance Troupe; Indian Trespass on Chinese Territory

21

### CHINESE PRESS OPINION

Unite and Struggle to Win World Peace; March Forward, Fraternal Vietnamese People!; The Passing Show

24

### SIDELIGHTS

28

### WHATS ON IN PEKING

30

## ROUND THE WEEK

### As You Sow . . .

Agriculture features prominently in the news these days. It is getting the attention of the whole nation. The drive to speed up its technical transformation and growth has become a mass movement. The watchword is: "All support to agriculture!" Every organization concerned is busy translating this call into action.

Provincial Communist Party committees all over the country are planning out their work to put emphasis on agriculture. Leading cadres at all levels are going to the rural communes to give prompt, concrete guidance and lend a hand on the farms. An endless flow of farm machinery, chemical fertilizers, technical and other aid is pouring from the cities into the countryside. In the rural areas themselves, steps are being taken to ensure that a greater proportion of labour power is allocated to agricultural production. This mighty national effort is aimed at reaping a rich harvest this autumn.

With a bigger harvest in prospect this year, the southwestern province of Szechuan, known for its great fertility, is determined to get every grain of it in. The provincial Communist Party committee has made good field management one of the central tasks for the month of July. Around 70 to 80 per cent of rural labour power will be deployed on this front line of agriculture. Criss-crossed by a network of irrigation canals, the Wenchiang Special Administrative Region is situated in the fertile area to the west of Chengtu. More than 100,000 cadres are lending a hand here in field work. Rice is the main autumn crop. Over 70 per cent of the manpower available here are working in the paddyfields. Each plot of paddy has been put under the care of a particular group and the fields are being cultivated as if they were gardens.

Equal attention is being given to the cotton, sugar-cane, peanut and other industrial crops for which the province is famous. Special field management teams have been organized to look after them.

New farm tools ensuring better field management are being popularized. To guarantee ample supplies for the autumn crops, a lot of effort is being given to accumulating manure and compost and making chemical fertilizers.

Autumn crops are doing well up in the North, too, in the Inner Mongolian Autonomous Region. They were sown earlier and have been better looked after than in previous years. The area under crops is bigger than last year by more than 10 million *mu*; this alone will contribute largely to a bigger output. Here, too, the Communist Party committee has arranged its work to centre around agriculture for the coming few months. About 75 per cent of the rural labour force will be looking after the crops. Every branch of activity, particularly industry, is called upon to help raise a bumper harvest this autumn.

### Rural Electrification—The Mass Way

More and more lights are going on in China's villages. More electric power is making village wheels hum. A vigorous mass campaign to speed up the electrification and technical transformation of agriculture is progressing by leaps and bounds throughout the country.

In developing rural power the main stress is being put on building small stations, serving the needs of production in the first place and encouraging the people's communes to take the initiative in the work. In practice the building of hydro-electric power stations is closely linked with the large-scale building of water conservancy projects.

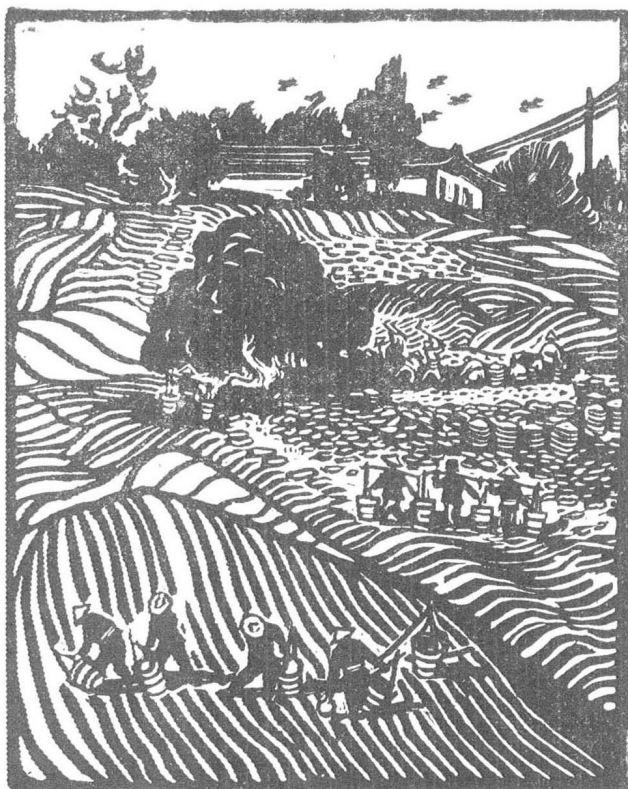
Small electric power stations and other power sources such as water and wind mills, and natural and methane gas stations can now be found in all parts of the country, in the deep hinterlands, remote border areas and mountain districts.

During the past few months, thousands of water mills and hydro-electric power stations have been built

Published every Tuesday by PEKING REVIEW  
Pai Wan Chuang, Peking (37), China  
Cable Address: PEKING 6170

Post Office Registration No. 2-922

Printed in the People's Republic of China



Tending the Fields with Care

Woodcut by Niu Wen

throughout the country. In this period Honan took the lead among the provinces in building such small power stations. More than 80 per cent of its people's communes now have their own power stations. Chekiang Province also built many hydro-electric power stations and raised its generating capacity by 11,000 kw. in the first five and a half months of this year.

Experience to date gives a glimpse of the way full utilization of the nation's power stations and water mills will be able to free manpower by putting mechanical power to do many heavy manual jobs and raising productive efficiency. Electrically-operated machines in Kiangsi's Chian Special Administrative Region now do many jobs formerly done by hand: rice-milling, slicing potatoes, crushing fodder, oil-pressing, sawing, paper-making and food-processing. In Hungtung County, Shansi, 84 per cent of the villages have mechanized or semi-mechanized their laundering, shoe-making and tailoring. Some Hungtung communes have got successful results in their trial use of power-operated farm machines for harrowing, cultivating, sowing, weeding, harvesting and transport in high-yield fields. Thanks to its mass-run hydro-power stations,

the Tienchu Tibetan Autonomous County in the Kansu grasslands has mechanized many jobs in its industrial enterprises and community dining-rooms.

These mass built power stations are making rural living more convenient and are a big help to cultural and educational activities. Many farmsteads and about 1,000 community dining-rooms are now lit by electricity in Honan's Changko County. The peasants call their little power stations "pearls of the night." The hydro-electric power station in Wulien County, Shantung, provides commune members with cheap power for radios

so that more can listen in to broadcasts of the news, music and opera. Bright electric lights have replaced the former dim lamps for local stage entertainments.

Another by-product of the campaign is the training of electrical technicians and the spread of electrical knowledge among the rural population. In the past year Chouchih County in Shensi Province has formed a technical group which can design and build small power stations and make small generators or transformers. Honan Province already counts its new electrical technicians by the tens of thousands.

### Together with the People

The press these days has been carrying many accounts of how, under the conditions of today, cadres uphold the Party's fine tradition and principle of keeping in close touch with the masses and helping them solve their problems.

One of the latest reports comes from northern Shensi, in the old revolutionary base where the Chinese Communist Party made its headquarters after the Long March, and from where it directed the revolutionary struggle and led the Chinese people to final victory.

Towards the end of last year, two Party cadres named Kao Yi and Liu

Shih-chieh, anxious to help lagging commune brigades, asked to be allowed to go to the villages and work at the grass-roots level where conditions were most difficult. Living, working and tackling problems together with the peasants, they mobilized and guided their efforts to such good effect that, within six months, the two formerly backward brigades in which they worked became model advanced brigades. Now Kao and Liu's example has been followed throughout the province. More than 90,000 cadres in Shensi have volunteered to work in units at the grass-roots level where conditions are less favourable, and help them catch up with the more advanced.

The Party constantly stresses that it is the first duty of its members to be ready to take the rough and the smooth together with the masses, and be the first to shoulder difficulties and the last to enjoy the fruits of labour. In provinces in the Yellow River basin suffering from long dry spells, thousands of cadres are now working with the peasants to bring water from wells, streams and mountain springs to the fields. In the Northwest, in the Ili Kazakh Autonomous Chou in Sinkiang, cadres and local herdsmen battled to rescue thousands of cattle from untimely snowdrifts last spring.

These and other examples of Party cadres leading a simple life in common with the broad masses and working selflessly in their interest are giving fresh inspiration to the whole Chinese people and spurring them forward to greater efforts in building socialism.

### Prospering Homeland

Over one-fourth of the overseas Chinese who returned to China this year have settled down happily in Fukien Province, native land of large numbers of Chinese who reside abroad. The older generation among the returnees can well recall the miserable conditions in their native country in the days before liberation. Under the corrupt rule of the reactionaries, the working people in the cities and countryside were pauperized and deprived of all means of livelihood. Every year thousands upon thousands of them were forced to leave their homes to seek a living abroad.

Now on their return, they find that everything has changed beyond recognition. Where local feudal gentry, warlords and gangsters once collaborated to ride roughshod over the working people, there is peace, equality and comradeship with everyone working diligently for the common cause. Buildings and factories stand where once there were dilapidated shacks and wasteland. Where once people went hungry for lack of food, there is enough for all. Such are the fruits of liberation when the working people have at last come into their own.

Tsinchiang County gives a typical example of what changes have been brought about. Situated northeast of Amoy, it is one of the province's 40-odd counties where a total of more than two million returned overseas Chinese and their families live. Under Kuomintang rule, the county had to import half of its grain supply. Since liberation, water conservancy works have been built on a big scale, and now more than 80 per cent of the county's farmland is basically free from threat of flood or drought. Grain output has risen steadily each year. In the big leap forward year of 1958, a bumper harvest was gathered in. Last year's grain output took another leap forward, exceeding that of 1958 by 37.8 per cent.

In pre-liberation days the native villages of overseas Chinese had hardly any industries; there were nothing more than a few small power stations, printing shops and rice mills. Today, factories of all kinds and sizes have been built in the coastal areas as well as in the hilly hinterlands. Tsinchiang Special Administrative Region now has more than 1,300 factories of all kinds. The region has its own small metallurgical enterprises, a large network of light industries making sugar, salt and processing foods, in addition to its rising machine-building, chemical and other industries. Commune-run industries, of course, are also sprouting all over the region.

It is a startling change and the change for the better goes on every day.

### **Chinghai Goes Industrial**

Chinghai Province, in faraway Northwest China, was a virtual vacuum before liberation so far as industry

was concerned. It had a few small power stations, coal-mines and repair works, but all were equipped with out-dated machines. It got almost all its supplies of light industrial goods from other provinces. Since liberation, and particularly since the big leap in 1958, things have changed so fast that it is now on its way to self-sufficiency in consumer goods, and not just things like cloth or household utensils either, but plastic goods, glass ware, machine-made paper, tinned foods, etc.

Starting literally from scratch, mass effort has set up more than 4,600 light industrial enterprises in just over two years. The province now stocks its bazaars and shops with its own light industrial goods in ever increasing quantities. A recent estimate shows that Chinghai is already self-sufficient or partially so in more than 1,000 kinds of daily necessities, including soap and matches, shoes, leather and fur goods, hats, wine, carpets and milk powder. Its plants have successfully trial-produced or are manufacturing more than 500 types of new products.

### **Literacy Campaign Spreads**

The Wanjung method of teaching reading and writing the Chinese characters in conjunction with the new phonetic script, as reported earlier in these columns, has gained popularity all over the country.

An exhibition was held in Peking last month to pass on the experience gained in this field. The success achieved by the Fusuijing People's Commune in Peking's western district gives a measure of the effectiveness of the Wanjung method. Here most of the housewives not so long ago were still illiterate. Then the establishment of the commune enabled an increasing number of them to take part in productive work. This soon led them to feel the need for more knowledge, and in the first place to learn to read and write. When Wanjung's method first became widely known in February this year, the commune seized on it as a quick way of wiping out illiteracy among its members. In less than three months, of its 714 illiterate and semi-illiterate members, 650 have graduated from the literacy classes.

The Wanjung method worked wonders. One Chin Hsia, who could read

only a few Chinese characters to start with, learnt 1,500 characters in a little over two months after mastering the new phonetic script. Now she is able to write short compositions of several hundred words. Chang Yu-chen, another woman member, mastered the new Chinese alphabet in 22 hours, and with this as the key has gone ahead to read several primers annotated with the phonetic script.

To help its members consolidate their gains, the Fusuijing Commune has set up four new reading rooms where they can read or borrow books with phonetic annotations. The commune also runs its own mimeographed paper carrying news items and stories written in the new alphabet. Wanjung's quick method has sparked a new interest in learning in Fusuijing and other communes.

### **World Table Tennis Championships**

China's millions of table tennis fans are looking forward with the keenest interest to the 26th World Table Tennis Championships scheduled for April, next year. They will be held in Peking. This will be the first world tournament to be held in China. The Table Tennis Association of the People's Republic of China announces that the championships will last from April 5 to 14.

Preparations are in full swing. A huge gymnasium accommodating 15,000 spectators is being built specially for the purpose. Located near the new Peking Workers' Stadium in the eastern suburbs of the capital, it will be circular in shape, with an arena large enough to allow ten table tennis matches to be played simultaneously.

Preparations are in the hands of an organizing committee which submitted a report of its activities to the meeting of the advisory committee of the International Table Tennis Federation held at Zagreb, Yugoslavia, last April. The meeting expressed satisfaction with the way work was going ahead.

The Zagreb meeting also approved the Hongshuangxi (Red Double Joys) table tennis balls made in China for use in international competitions. It has now been decided that these balls will be used at the world championships next year. The organizing committee has sent two dozen samples of them to each of the 79 member associations of the I.T.T.F.

# China's Support for Asian, African and Latin American Peoples' Struggles Is Consistent and Unchangeable

## At the Mongolian National Day Reception

VICE-PREMIER Chen Yi on July 11 strongly condemned U.S. imperialism for its wanton intervention and aggression against the Cuban people, its flagrant application of economic pressure on Cuba and its attempt to carry out military adventures against Cuba. At the same time, he also castigated U.S. imperialism for backing the Belgian colonialists in their crude armed intervention against the Congolese people who have just won independence and for its support of the Dutch colonialists in their military provocations against the Indonesian people and prolonged occupation of Indonesia's territory of West Irian.

The Vice-Premier was speaking at a reception given by D. Sharab, Mongolian Ambassador to China, in celebration of the 39th anniversary of the victory of the Mongolian people's revolution. He declared: "The Chinese people will always unite with the peoples of the socialist camp headed by the Soviet Union and all other peace-loving peoples to carry on a resolute struggle against U.S. imperialism's policies of aggression and war. The firm stand of the Chinese Government and people in support of the just struggles of the peoples of Asia, Africa and Latin America is consistent and unchangeable."

Referring to the international situation in his speech, the Vice-Premier said: "Together with all other socialist countries, China and Mongolia have consistently pursued a foreign policy of peace, stood for peaceful coexistence among nations with different social systems and made unremitting efforts for the relaxation of international tension. The imperialist bloc headed by the United States, however, has stubbornly persisted in its policies of 'positions of strength' and 'cold war,' and energetically carried out activities of arms expansion and war preparations."

Recently, Vice-Premier Chen Yi continued, U.S. imperialism brazenly wrecked the four-power conference of government heads and the ten-nation disarmament conference on which the attention of the whole world was focussed, directed Japan's Nobusuke Kishi to force through the ratification of the Japan-U.S. treaty of military alliance and supported the Dutch colonialists in their military provocations against the Indonesian people and their pro-

longed occupation of Indonesia's territory West Irian. To spread the war plague and retrieve the disintegrating U.S. aggressive front in Asia, Eisenhower, chieftain of U.S. imperialism, personally came to Taiwan, Okinawa, south Korea and other regions to bolster and brace up its stooges.

The fresh criminal acts of U.S. imperialism to undermine world peace and suppress the national independence movements and people's revolutionary movements constitute a most profound lesson by negative example to the peoples of all countries, opening the eyes of more and more people to the fact that U.S. imperialism is the No. 1 enemy of the cause of world peace and human progress, the Vice-Premier said and continued:

"A worldwide storm of struggles against U.S. imperialism and its lackeys is on the rise, and U.S. imperialism is encountering ever-mounting difficulties. The whole situation is becoming more and more favourable to the cause of the world's people striving for a lasting peace, national independence, democracy, freedom and socialism. So long as the peoples of all countries further unite to form a united front against U.S. imperialism and carry out unremitting struggle, they will certainly be able to continually frustrate U.S. imperialism's policies of aggression and war and win final victory for the cause of safeguarding world peace and achieving human progress. Let us Chinese and Mongolian peoples clasp hands even tighter, co-operate closely and advance courageously in the cause of building socialism and defending world peace."

VICE-PREMIER Chen Yi warmly praised the Mongolian people's outstanding successes in socialist construction. "The Chinese people," he said, "heartily rejoice at the great achievements of the brotherly Mongolian people and are firmly convinced that with the support of the great Soviet Union and the other fraternal countries, the Mongolian people, relying on their own efforts, will certainly score new and ever greater successes."

Friendship between the Chinese and Mongolian peoples is continuously growing and consolidating, the Vice-Premier pointed out. Our friendship is built on Marxism-Leninism and international proletarianism; it is a fraternal friendship of mutual respect, mutual support and close co-operation. In the spirit of the Moscow Declaration, the two countries have further developed these friendly

relations. And on the basis of equality and mutual benefit, we have brought about a comprehensive growth in economic and cultural mutual aid and co-operation. The two countries have joined in common effort to oppose the policies of aggression and war of the imperialist bloc headed by the United States and in preserving Asian and world peace. Friendly exchanges between our Governments and people have become more frequent. The Sino-Mongolian treaty of friendship and mutual assistance is a new milestone in the further strengthening of our friendly co-operation. The brotherly ties between China and Mongolia, the Vice-Premier said, are a component part of the great unity of the socialist camp headed by the Soviet Union. The Chinese people will always do their utmost to strengthen the friendship between China and Mongolia and the unity of the socialist camp.

**A**MBASSADOR Sharab who spoke at the reception related the achievements of the Mongolian people since the revolution. He said that thanks to the brilliant leadership of the Mongolian People's Revolutionary Party and the selfless labour of the Mongolian people, the Mongolian People's Republic has been transformed from an extremely backward pastoral country into an independent and sovereign socialist state with an ever-expanding socialist industry, agriculture, animal husbandry and national culture. He acclaimed the constant consolidation of friendship between Mongolia and China, emphasizing that the recent friendly visit of Premier Chou En-lai and Vice-Premier Chen Yi and the signing of the Mongolian-Chinese treaty of friendship and mutual assistance and agreement on economic and technical aid as well as other documents have made significant contributions to further strengthening the fraternal ties and close co-operation between the two peoples and the consolidation of unity among the socialist countries.

Ambassador Sharab congratulated the Chinese people on their historic victories in socialist construction and in the defence of peace. He added that the Mongolian People's Republic gives full support to the struggle of the Chinese people against the U.S. imperialist plot to create "two Chinas" and for the liberation of their sacred territory Taiwan. He also expressed the Mongolian people's condemnation of U.S. imperialism's aggressive policy and resolute support for the patriotic struggles waged by the peoples of Japan, Korea, Turkey and other countries in Asia, Africa and Latin America.

## At the Iraqi National Day Reception

**T**HE Chinese people and the other peoples of Asia, Africa and Latin America will always support each other and closely co-operate in their common struggle against imperialism," said Vice-Premier Chen Yi on July 14. He also declared: "The Chinese Government and people firmly support the Cuban people's struggle against U.S. imperialist intervention, the Algerian people's war of national liberation, the Congolese people's struggle to preserve their national independence and oppose imperialist military suppression and the Japanese people's

struggle against the Japan-U.S. military treaty and U.S. military bases."

Vice-Premier Chen Yi was speaking at a reception given by Iraqi Ambassador Abdul-Hak Fadil in honour of the second anniversary of the Iraqi revolution.

On behalf of the Chinese Government and people, Vice-Premier Chen Yi warmly congratulated the Iraqi Government and people on their national day. "The Iraqi revolution and the birth of the Republic of Iraq," he said, "opened a new page in the history of Iraq, from then on the Iraqi people have taken to the road of independent development. The victory of the Iraqi people broke up the 'Baghdad treaty bloc' and directed a heavy blow at the U.S. imperialist aggressive front and plans for war in the Middle East. The 'Central Treaty Organization' which U.S. imperialism has knocked together on the ruins of the 'Baghdad treaty bloc' is also tottering as a result of the outbreak of the just and patriotic struggle of the Turkish people and the overthrow of the Menderes regime. All this shows that the seemingly powerful U.S. imperialism and the military blocs put together by it are opposed to the will of the peoples and are therefore extremely weak. It is possible to defeat the policies of war and aggression of U.S. imperialism by counterblows from the daily awakening peoples of the world."

The Vice-Premier noted: "U.S. imperialism is not reconciled to its defeats, nor has it properly learnt its lessons from those defeats. Recently, U.S. imperialism, having wrecked the ten-nation disarmament conference, again dispatched an RB-47 type military aircraft to intrude into the air space of the Soviet Union to conduct spying activities and once again it suffered a deserved punishment. At the same time, in order to step up its war preparations, it has openly conducted military exercises using rockets and sham atom bombs in south Korea and greatly reinforced the personnel of the U.S. 'Military Assistance Advisory Group' in south Viet Nam. These facts show that the U.S. imperialist provocations and disruptive activities against the socialist camp have not by any means stopped."

Vice-Premier Chen Yi declared: "The Chinese Government and people firmly support the protest lodged by the Soviet Government with the U.S. Government and the governments of the countries concerned which have provided bases for U.S. aircraft; they firmly support the just struggles of the Korean Democratic People's Republic and the Democratic Republic of Viet Nam against U.S. imperialism's violations of the Korean Armistice Agreement and the Geneva agreements."

Vice-Premier Chen Yi said: "At the same time as it is carrying out encroachments against the socialist countries, U.S. imperialism is also stepping up its crude intervention against the Cuban people who are defending their national independence, and attempting to start a new military adventure against them. U.S. imperialism has all along supported the French imperialists in waging the criminal war in Algeria. Of late, U.S. imperialism is plotting and is even prepared to come forth itself to carry out armed intervention against the Congolese people who have just won independence. All this

will, however, only further arouse the just indignation of the Cuban, Algerian, Congolese and all other oppressed peoples, stimulating them to unite further to wage a resolute struggle against U.S. imperialism."

**H**E stressed: "U.S. imperialism dares to carry out provocations and aggression against the socialist camp and the peoples of Asia, Africa and Latin America because it has made a wrong appraisal of the situation. U.S. imperialism has always deliberately sought to undermine the fraternal friendship of the countries of the socialist camp and sow discord in the friendly relations between the socialist countries and the Asian-African countries. Now it mistakenly thinks that its treacherous scheme in this regard has succeeded and it can therefore engage in new adventures. However, facts always run counter to the subjective wishes of imperialism. The great unity of the socialist camp headed by the Soviet Union, which is based on Marxism-Leninism, is unbreakable. Imperialist encroachment on any of the socialist countries will meet with an annihilating rebuff from the whole socialist camp. The friendly relations between the socialist countries and the countries of Asia, Africa and Latin America are based on the Five Principles of Peaceful Coexistence and have been built up and developed in their common struggle against imperialism. Despite the fact that there are still some issues of a limited and temporary character between our country and some other Asian countries, all these issues can be reasonably settled so long as both parties concerned conduct friendly consultations in the spirit of mutual understanding and mutual accommodation."

He said: "We are convinced that, in the excellent situation in which the East wind prevails over the West wind, should U.S. imperialism dare to defy the whole world by launching a military adventure, it will certainly accelerate its own extinction."

Vice-Premier Chen Yi pointed out: "The Chinese Government and people have always stood for peaceful coexistence among nations with different social systems and have made unremitting efforts for and well-known contributions to it. The imperialist countries headed by the United States, however, are unwilling really to coexist peacefully with the socialist countries. In the political, economic and military fields, they have adopted a series of policies hostile to the socialist countries. The facts of the fifteen post-war years show most clearly who stands for peaceful coexistence and who opposes it. At the same time, they also fully show that peaceful coexistence between the socialist countries and the imperialist countries cannot be realized by relying solely on negotiations with the imperialists, but must mainly depend on the struggles of the people of the world. We are glad to note that the socialist camp has now grown even mightier than before, that the forces of the national and democratic movements in Asia, Africa and Latin America and the forces of the people's struggles in the Western countries, including the United States, and all the peace-loving forces of the world have developed rapidly. So long as these forces become further united, persist in unremitting and protracted struggles against U.S. imperialism's policies of war and aggression and firmly take the cause of peace in their own hands, it will be possible to compel the im-

perialist countries headed by the United States to retreat in the face of difficulties and to accept in varying degrees a situation of peaceful coexistence among nations with different social systems."

Vice-Premier Chen Yi said that there existed a long-standing traditional friendship between the Chinese and Iraqi peoples. On the basis of the Five Principles of Peaceful Coexistence and the Bandung spirit, further progress has been made in these relations since the founding of the Iraqi Republic. The Vice-Premier also noted that "to further develop economic and cultural ties between the two countries and strengthen the friendship and solidarity of their peoples is not only in full accord with the common aspirations and interests of the peoples of China and Iraq but also beneficial to the Asian and African peoples' noble cause of winning and preserving national independence and safeguarding world peace."

**A**MBASSADOR Abdul-Hak Fadil of Iraq in his speech at the reception declared that the second anniversary of the Iraqi revolution also represented a second anniversary of Iraqi-Chinese friendship. He said that on the very day of their victory, the Iraqi people were able for the first time in centuries to stretch out a friendly and co-operative hand to all peace-loving peoples, including the Chinese people, and on that day too the Chinese people announced to the entire world their friendship and support to the revolutionary people of Iraq. "This is remembered and will always be remembered by all Iraqi people with sincere thanks and deep gratitude," the Ambassador stated.

For China's Views on International Developments

*Read*

## PEKING REVIEW

The weekly magazine of Chinese news  
and views in English



*PEKING REVIEW is airmailed to all subscribers  
the world over and brings you:*

Up-to-date, authoritative coverage of China.  
Views on international developments.

Theoretical articles.

Texts of major policy statements and  
documents.

Cultural trends.

*Subscribe or renew NOW*

Inquire at your local bookstore or write direct  
to our chief distributor GUOZI SHUDIAN  
P. O. Box 399, Peking, China



# The Present International Situation and the Tasks of the World Peace Movement

At the World Peace Council Bureau Meeting in Stockholm

---

The foremost task of the world peace movement today is to take full advantage of the present excellent situation, and encourage the peoples of the world to struggle with full confidence to the very end to continue to defeat the policies of war and aggression of imperialism headed by the United States and to defend world peace. The peoples of the various countries should form the broadest united front against U.S. imperialism and its lackeys and strengthen mutual support in the joint struggle.

---

*Following is a translation of the speech delivered at the July 10 session of the Stockholm meeting (July 9-11) of the World Peace Council Bureau by Liao Cheng-chih, head of the Chinese Delegation and member of the Bureau. — Ed.*

**Mr. Chairman and Friends,**

We listened with great interest to the speeches by Professor Bernal, Mr. Korneichuk and other friends yesterday. Indeed, the struggle of the peoples of all countries in defence of world peace now finds itself in an excellent situation unprecedentedly favourable to it. It is, doubtless, of great significance that in these circumstances the Bureau of the World Council of Peace is meeting to exchange views on important questions concerning world peace. We sincerely hope that through our concerted efforts and co-operation this meeting will make new contributions to the cause of defending world peace.

During the recent period, the struggle waged by the peoples of the world against imperialist aggression and in defence of world peace has scored a series of great new victories.

The just struggle of the Soviet Government and people against U.S. imperialist provocations and its wrecking of the four-power conference of heads of government has effectively exposed the peace deceptions of U.S. imperialism, dealt a heavy blow at its aggressive arrogance and greatly encouraged the peoples of the whole world in their determination to fight against U.S. aggression and defend world peace. China and the other socialist countries and all the people the world over who cherish peace and uphold justice, resolutely support the Soviet Union's just struggle, unanimously denounce the U.S. acts of aggression, placing U.S. imperialism in an unprecedentedly isolated position, politically and morally.

The struggle of the Asian, African and Latin American peoples to win and safeguard national independence and democratic freedoms continues to surge ahead so powerfully that the imperialists and colonialists are at a loss as to how to meet the situation. A number of new independent states have emerged in Africa one after another. The Algerian people are persisting in their heroic struggle for national independence. The Congolese people are rising in a mounting struggle to eliminate the colonialist forces. The Cuban people's struggle against U.S. imperialism is gaining in strength and scope.

The people in the Western European countries are rising in struggle. In Britain, Italy, even in the United States, the people are also beginning to take action. Especially noteworthy is the fact that the heroic Japanese people, in order to oppose the Japan-U.S. military treaty, U.S. military bases and U.S. imperialist aggressive forces, have formed a broad national united front and waged an indomitable nationwide mass struggle against U.S. imperialism and its agents. In the face of the victorious struggle of the Japanese people, U.S. President Eisenhower had to cancel his visit to Japan, and Kishi, U.S. imperialism's most faithful agent, was forced to follow in the footsteps of Syngman Rhee and Menderes and announce his resignation. The Japanese people's struggle has inflicted a serious defeat on U.S. imperialism in its attempt to stabilize its Asian front of aggression, thus making a tremendous contribution to the cause of defending world peace.

The struggles of the broad masses of people the world over for relaxation of international tension, for ending the cold war, for general disarmament, for banning nuclear weapons, for reconvening a four-power conference of heads of government and for peaceful coexistence among countries having different systems as well as the struggles against imperialist arms expansion and war preparations,

against the revival of West German and Japanese militarist forces, against foreign military bases have also developed and broadened their scope. More and more people have swelled the ranks of those who oppose imperialist aggression and defend world peace.

All this has dealt a heavy blow to the forces of war and aggression headed by U.S. imperialism, upset U.S. imperialism's timetable for preparing a new world war, and powerfully defended world peace. We are deeply convinced that so long as the forces of the socialist camp, the forces of the people's struggles in the Western countries, the national and democratic forces in Asia, Africa and Latin America, all the peace-loving forces of the whole world become further united and wage a persistent and unremitting struggle, it will be possible to further defeat the policies of war and aggression of imperialism headed by the United States and to postpone or even to stop their plan for starting a new world war.

**B**UT what confronts the people of the world is the most truculent, the most frantic imperialism of the United States which is armed to the teeth. This No. 1 enemy of world peace has not learnt the necessary lessons from its own defeats. On the contrary, U.S. imperialism, taking advantage of the tension resulting from its wrecking of the four-power conference of heads of government, is now even more openly and brazenly engaged in arms expansion and war preparations, is intensifying its fostering of West German and Japanese militarism, and is further tightening its control over such aggressive blocs as NATO, CENTO and SEATO. During this period the U.S. Government and representatives of U.S. monopoly groups have repeatedly uttered war cries. In his broadcast speech on June 27, Eisenhower raved that the United States must keep its aggressive forces "strong, modern and alert" and that it must "accept the risks of bold action with . . . courage" in dealing with the socialist camp. U.S. Defense Secretary Gates openly declared that the United States is "ready" to start either a small or a major war. The U.S. ruling clique and their hired press even openly advocate the strategy of "pre-emptive" war. All this shows that U.S. imperialism's policies of war and aggression and its ambition to enslave the peoples of the whole world have not changed. So long as imperialism exists, it will always make trouble, and the peoples of the whole world have no reason to relax their vigilance.

Therefore, the movement to defend world peace remains a long and arduous struggle. The foremost task of the world peace movement today is to take full advantage of the present excellent situation, and encourage the peoples of the world to struggle with full confidence to the very end to continue to defeat the policies of war and aggression of imperialism headed by the United States and to defend world peace. Through this struggle the peoples of the world will realize more and more clearly that the enemy of world peace is imperialism headed by the United States. We must tell the people of the world the truth, so that they can, on the one hand, see clearly the bright prospects of the struggle for world peace and not

be intimidated by imperialist war threats, and on the other hand, maintain a high degree of vigilance because of the inherent nature of imperialism and against the danger of its unleashing another war, and not cherish unrealistic illusions about imperialism. We maintain that in so doing, not only will it do no harm to the confidence of the peoples of the world in their struggle for world peace, but will more effectively mobilize all peace forces throughout the world to wage the struggle directed squarely at imperialism, thereby securing increasingly greater victories for the cause of defending world peace.

**C**ONTRARY to the policies of war and aggression of imperialism, the socialist countries consistently stand for peaceful coexistence among countries having different social systems. As early as 1954, the Chinese Government initiated together with the Governments of India and Burma the Five Principles of Peaceful Coexistence, and have established relations of peaceful coexistence with many Asian and African countries as well as some European countries in accordance with these principles. Not long ago, our Government, in accordance with the Five Principles of Peaceful Coexistence, concluded a treaty of friendship and mutual non-aggression with the Union of Burma and a treaty of peace and friendship with the Kingdom of Nepal. We, the socialist countries, are also willing to practise peaceful coexistence based on the same principles with the imperialist countries, including the United States. But the history of the last 15 years following the Second World War shows that the imperialist countries headed by the United States are unwilling to practise real peaceful coexistence with the socialist countries. The following facts are eloquent proof: U.S. imperialism unleashed the war of aggression against Korea, invaded and occupied China's territory Taiwan, instigated the counter-revolutionary rebellion in Hungary, established military bases all around the socialist countries, formed a series of aggressive military alliances directed against the socialist countries, and dispatched spy planes to intrude into the air space of the Soviet Union and other socialist countries. U.S. imperialism has publicly declared its following of a policy of "cold war" against the socialist countries, and utilizes every opportunity to create international tension. To safeguard the security of the socialist countries and world peace, the socialist countries must resolutely oppose the policies of aggression and war of U.S. imperialism and its "cold war" policy. To bring about peaceful coexistence between countries having different social systems, no obstacles whatsoever exist on the side of the socialist countries. All obstacles come from the side of the imperialist countries headed by the United States. Therefore, only by continuously increasing the strength of the countries of the socialist camp, increasing the strength of the national and democratic movements in Asia, Africa and Latin America, increasing the strength of the struggles of the peoples in the Western countries and increasing the strength of all the peace-loving forces of the whole world and by relying on the alliance of these forces to wage unremittingly a long struggle against the policies of war and aggression of U.S. imperialism, will

it be possible to force U.S. imperialism to exercise some restraint, prevent it from turning the "cold war" into a hot war, and compel the imperialist countries to accept, in varying degrees, a situation of peaceful coexistence among countries having different social systems.

**D**ISARMAMENT is a common aspiration of the peoples of the world and at the same time an important measure for lessening international tension and safeguarding world peace. The Soviet Union and the other socialist countries have made consistent and unabating efforts for the realization of general disarmament. In order to facilitate an agreement on the disarmament question at the ten-nation disarmament conference, the Soviet Union has time and again made great efforts. The Soviet Union decided, on its own initiative, to reduce its armed forces by one-third. On June 2 this year, the Soviet Government again submitted new proposals for general and complete disarmament in which certain opinions of the Western countries were incorporated. The Western countries headed by the United States, however, resorted to their usual tactics of sabotage, devising new pretexts and setting up new barriers, trying to bog the conference down in endless debate on control and inspection without disarmament and turn it into an instrument for covering up imperialist arms expansion and war preparations. Under these circumstances, the Soviet Government, in order to expose the fraud of the Western countries headed by the United States of engaging in empty talk about disarmament and to prevent the world public from being misled, resolutely announced the suspension of its participation in the Ten-Nation Disarmament Committee. The Chinese people fully support this just move made by the Soviet Government.

The wrecking of the ten-nation disarmament conference by the Western countries is another factual proof that the imperialist countries headed by the United States have no sincere desire for disarmament. The imperialists will not easily carry out disarmament. Only by ceaselessly increasing the strength of the socialist camp and intensifying the struggle of the peoples of the world, thus making the imperialist countries realize that continued refusal to carry out disarmament would be to their own disadvantage, will it be possible to compel them to sit down to serious disarmament negotiations and reach certain agreements on the question of disarmament.

China has always supported the various disarmament proposals made by the Soviet Union and other socialist countries and has made sincere efforts to promote disarmament. Since 1951, China has repeatedly, on its own initiative, reduced its armed forces. We have taken the initiative to withdraw the Chinese People's Volunteers from Korea. We have repeatedly proposed that all the countries of the Asian and Pacific region conclude a peace pact of mutual non-aggression and make this region an atom-free zone. In accordance with our consistent stand and together with the Soviet Union and other socialist

countries and all peace-loving peoples and countries, we shall henceforth continue to make positive contributions to the realization of general disarmament and the safeguarding of world peace.

We, the socialist countries, have consistently stood for the settlement of all international disputes through negotiations without resort to force. Over the past decade and more, our country had conducted many negotiations with imperialist countries. Representatives of the Korean and Chinese side negotiated with the United States at Panmunjom for more than two years and signed the Korean Armistice Agreement. China also participated in the Geneva Conference of 1954 and, together with the Soviet Union and the Democratic Republic of Viet Nam, made contributions to the conclusion of agreements on the restoration of peace in Indo-China. Despite the numerous aggressive acts and provocations committed by U.S. imperialism against our country, our Government still took the initiative in proposing negotiations with the United States. The ambassadorial talks between China and the United States have been going on for more than four years. Through these negotiations, the Chinese people have become deeply aware that in order to compel imperialism to accept negotiations and reach certain agreements with us and to safeguard these agreements against violation during their implementation, there must be intense and sharp struggles, and the struggle of the masses and diplomatic negotiations must be closely co-ordinated. The struggle of the masses provides diplomatic negotiations with the strongest backing.

**T**O secure world peace depends mainly upon the struggles of the peoples in various countries. In order to concentrate our forces to defeat the enemy of world peace, the peoples of the various countries of the world should form the broadest united front against U.S. imperialism and its lackeys and strengthen mutual support in the joint struggle. The Chinese people, together with the great Soviet people and the peoples of the other socialist countries, always stand in the forefront against imperialist aggression and in defence of world peace. We shall spare no efforts to strengthen the unity of the socialist camp and fight indomitably to stop U.S. imperialist aggression and defend world peace. The Chinese people resolutely support the peoples of the countries of Asia, Africa and Latin America in their national and democratic movements and support the fight against racial discrimination. These movements are more and more becoming an extremely important force in shaking the foundation of imperialism and defending world peace. The Chinese people firmly support the peoples in the imperialist and other capitalist countries in their struggle for peace, democracy and social progress, and are ready to co-operate with all advocates of peace of these countries. We believe that so long as the masses of people who make up more than 90 per cent of the world population are increasingly united and wage a persistent and unremitting struggle against the imperialist forces of war headed by the United States, the cause of winning a lasting world peace will certainly triumph.

# Firmly Oppose U.S. Imperialist Intervention Against Cuba!

by OUR CORRESPONDENT

## Mass Rally in Peking

A MASS rally held in Peking on July 16 voiced the full support of the Chinese people for Cuba's struggle to defend national independence and oppose U.S. imperialist aggression. Sponsored jointly by the All-China Federation of Trade Unions and the China-Latin America Friendship Association, it was attended by Vice-Premier Hsi Chung-hsun and other government officials, leaders of mass organizations, more than 3,000 people from all walks of life in the capital as well as guests from Latin American and Asian and African countries. The Delegation of the Cuban Confederation of Workers (C.T.C.) led by Odon Alvarez de la Campa received a tumultuous welcome.

Presiding over the rally, Liu Chang-sheng, Vice-President of the A.C.F.T.U., declared that along with all peace-loving peoples of the world, the 650 million Chinese people stand resolutely by the Cuban people; in the common struggle against U.S. imperialism they will always give each other mutual support and co-operate closely.

Warmly praising the Cuban people's determined struggle against brutal U.S. imperialist intervention, he described it as a major component of, and occupying a frontline position in, the worldwide people's struggle against U.S. imperialist policies of war and aggression. The Cuban people's revolution, he said, is bound to be victorious.

Apropos of the recently stepped-up U.S. preparations to start military intervention in Cuba, Liu Chang-sheng declared: "Should U.S. imperialism dare to defy the will of the people of the world and go so far as to unleash armed aggression against the sacred soil of Cuba, it will inevitably be trapped in the fire it kindles and consumed in the raging flames of the Cuban people's resistance."

Liu Chang-sheng hailed the A.C.F.T.U.-C.T.C. joint statement (see p. 14), declaring that it fully expressed the fraternal friendship of the Chinese and Cuban workers in their struggle against the common enemy — U.S. imperialism, reflected their confidence in the victory of their common cause of opposing imperialism and preserving world peace, and gave voice to their common will to support each other and strengthen unity in future struggles.

Li Chieh-po, Vice-President of the A.C.F.T.U. who spoke at the rally, was forthright in his declaration: "We pledge our word to the Cuban people that in your just struggle against U.S. imperialist intervention and aggression, you can always count on full support from the 650 million Chinese people."

Li Chieh-po enthusiastically acclaimed the remarkable achievements of the Cuban people under the leadership of Prime Minister Fidel Castro in preserving their national sovereignty and in social and economic reforms, following the overthrow of the U.S.-fostered Batista dictatorship. "This victory of the Cuban people's revolution," he stated, "once again proves that so long as the people persist in struggle, they will certainly be able to defeat imperialism and win national independence."

Li Chieh-po added: "The flames of Cuba's revolution are illuminating for all Latin American peoples the path of preserving and striving for national independence, winning democratic freedoms and developing their national economies. Inspired by the victory of this revolution, the flames of national and democratic movements are spreading everywhere in Latin America and the tide of battle against U.S. imperialism and its lackeys is engulfing the entire continent. It is precisely because of this that U.S. imperialism hates to its very marrow the victory of the Cuban people and is trying by every means to strangle the Cuban revolution. It hopes thus to drag the Cuban people back to their former state of enslavement and oppression and stamp out the national and democratic movements in Latin America."

However, Li Chieh-po said, the Cuban people, who have set their feet on the road of independence and are resolute to preserve their national sovereignty, cannot be forced to submit to U.S. imperialist threats and its interventionist schemes.

Li Chieh-po noted that the Cuban people are by no means alone in their struggle, that their just cause enjoys the deep sympathy and full support of the peoples of Latin America, Asia and Africa as well as all peace-loving peoples of the world. He called attention to the fact that the cries of "Cuba yes, Yankees no!" are resounding throughout Latin America and that the socialist camp headed by the Soviet Union and the peace-loving peoples throughout the world stand resolutely by the side of the Cuban people.

Chu Tu-nan, President of the China-Latin America Friendship Association, declared in his speech: "We greatly admire the heroism of the Cuban people in looking down upon U.S. imperialism as a paper tiger." Stressing the profound friendship forged between the Chinese and Cuban peoples in the common fight against U.S. aggression, he said: "The struggle of the Cuban people is our struggle and their victories ours. We are determined to back the Cuban people in their just struggle against U.S. imperialism!" "The Cuban people's determined struggle against U.S. imperialist policies of aggression and war," he went on, "has set a brilliant example for the whole

world and constitutes a very important force in the opposition of the world's people to U.S. imperialist aggressive policy and in the defence of world peace."

Odon Alvarez de la Campa, head of the Delegation of the Cuban Confederation of Workers, was greeted with a tremendous ovation when he took the floor. His speech, which touched on the course of the Cuban revolution and its victories, expressed the determination of the Cuban people to repulse U.S. imperialist military intervention. U.S. big business and the Washington government in its service are, he pointed out, resorting to economic, political, diplomatic and military aggression in a desperate attempt to crush the Cuban people's struggle for national independence and sovereignty.

However, Alvarez declared, the Cuban people cannot be cowed. They are resolutely countering all manner of threats, aggression and pressure. Militia formed by workers, peasants and students is under training, ready to repulse with arms any foreign military intervention.

"The Cuban people are not alone in their struggle," Alvarez emphasized. "Standing by us are the peoples of Latin America, Asia and Africa, the peoples of the socialist camp headed by the Soviet Union, including the great Chinese people. The Chinese people's gigantic support for our revolution has tremendous significance."

The joint statement signed by the A.C.F.T.U. and the C.T.C. in Peking, is, Alvarez pointed out, bound to have far-reaching effects. "The workers and peoples of Cuba and China," he concluded, "have joined hands like brothers and united in the fight against their common enemy — U.S. imperialism. We know we will triumph, so long as we carry on the struggle and have international support."

A militant spirit pervaded the rally. Applause, ovations punctuated the speeches. A message was unanimously adopted pledging resolute support to the Cuban people's struggle for national independence and against U.S. imperialist intervention; it declared that this people's struggle is a tremendous support to the peoples of Latin America, Asia, Africa and the rest of the world in the common fight against U.S. imperialism. Thunderous applause greeted these words of the message when they were read out: "U.S. imperialism is becoming more and more isolated, confronted as it is by the peoples of the world, and its days are numbered. The peoples of the world by further closing their ranks and persisting in their struggles will certainly defeat the policies of war and aggression of the imperialists led by the United States and win final victory for the cause of safeguarding world peace and furthering human progress."

## The Heroic Cuban People Are Invincible

THE Cuban people can always count on the Chinese people for full support in their righteous struggle. The July 16 Peking rally and the joint statement of the Chinese and Cuban trade unions fully demonstrate the friendship and unity of the Chinese and Cuban workers and peoples in the struggle against their common enemy —

U.S. imperialism. These expressions of support were voiced by *Renmin Ribao* in its editorial of July 17.

The paper points out that of late U.S. intervention and aggression against Cuba's revolution have become more and more ruthless and vicious. The U.S. reduction of Cuban sugar import quota by 700,000 tons, it notes, is a most vicious attempt by the dollar empire to floor Cuba with its economic big stick.

"To the imperialists, economic control and political enslavement have always been like the two indivisible edges of a sword used against the oppressed peoples," *Renmin Ribao* points out. In order to win genuine independence, all oppressed countries must therefore free themselves from the economic control of imperialism, get rid of the imperialist forces of economic aggression, develop their own national economies and end their dependence on imperialism. On the other hand, any country which hopes to depend on imperialist "aid" to develop its economy will find itself caught in the trap of imperialism; it is like drinking poison to quench one's thirst.

*Renmin Ribao* points out that the Cuban people, having achieved victory in their revolution, have resolutely taken the path of shaking off U.S. economic control and seeking regeneration through their own efforts. This inevitably conflicts with the interests of U.S. imperialism, incurs its hostility and meets with sabotage and obstruction from it. Many difficulties therefore, are certain to arise. But, the paper says, how can things be easily accomplished without any difficulties when it is a matter of revolution, of changing the state of economic backwardness and dependency on imperialism which is the result of age long imperialist aggression and plunder? These difficulties are, however, difficulties in the course of advance and are puny as compared with those during the days of guerrilla war against U.S. imperialism and its lackeys. There are no difficulties that cannot be overcome as long as the initiative and revolutionary enthusiasm of the masses is relied upon. An eloquent proof of this is the economic progress achieved in Cuba despite many obstacles in the short space of time since the victory of the revolution. To a country and people determined to safeguard their independence, the economic pressure brought to bear on Cuba by the United States merely serves to make them strive still harder, further strengthen their unity and speed up the development of their national economy by relying on their own efforts.

*Renmin Ribao* points out that the cut in the sugar quota is also a sinister U.S. move designed to break the solidarity of the Latin American countries and isolate Cuba. While announcing the cut, the U.S. Government also made known its intention to buy sugar from the other Latin American countries and even wooed some of these countries by promising help in developing their sugar plantations and mills. In addition, the United States is preparing to use its so-called economic "assistance" programme for Latin American countries to strike at and isolate Cuba and to strengthen further its economic control over the other Latin American countries. This calls for serious vigilance on the part of the people of the Latin American states. U.S. imperialism is not only the enemy of the Cuban people, but the common enemy of the peo-

ples of all Latin American states. Any U.S. imperialist plot to divide the peoples of the Latin American states by the dirty means of threats and baits will be smashed without fail by the Latin American peoples, who are increasingly awakened, waging a common struggle and giving support to each other.

The *Renmin Ribao* editorial declares that U.S. economic blackmail of Cuba is obviously the forerunner of military aggression against that country. By applying unscrupulous economic pressure on Cuba, Washington in-

tends to create difficulties and confusion, thereby paving the way for its armed intervention in that country.

*Renmin Ribao* concludes: "The cause of the Cuban people is just and therefore popular. It is enjoying ever broader and more resolute support from the people of other nations. . . . Should U.S. imperialism dare to unleash armed attacks, in one form or another, on Cuba, the heroic Cuban people, with the firm support of the just-minded people the world over, will surely deal crushing blows to the U.S. aggressors."

## Joint Statement of Chinese and Cuban Trade Union Organizations

*Following is the full text of the Joint Statement of the All-China Federation of Trade Unions and the Cuban Confederation of Workers signed in Peking on July 16, 1960. — Ed.*

ON the invitation of the All-China Federation of Trade Unions, the Delegation of the Cuban Confederation of Workers headed by Odon Alvarez de la Campa, Foreign Relations Secretary of the Cuban Confederation of Workers, visited the People's Republic of China in July 1960. During this visit, cordial talks were held with Liu Ning-I, President of the All-China Federation of Trade Unions and its other leading members on the questions of opposition to U.S. imperialist aggression, support to the just struggle of the Cuban people, support to the national and democratic movements of the Asian, African and Latin American peoples and the strengthening and further development of the friendship and solidarity of the workers and trade unions of China and Cuba. The following joint statement was issued:

### I

The All-China Federation of Trade Unions and the Cuban Confederation of Workers unanimously and severely condemn the grave crimes perpetrated by U.S. imperialism in shamelessly interfering in Cuba's internal affairs and attempting to undermine the Cuban revolution. U.S. imperialism bitterly hates the victory of the Cuban revolution. During the past year and more, U.S. imperialism has resorted to all sorts of base and vicious methods, from slanders and smears to assassination and bombing, from economic blockade to military threats, from intensification of internal subversion to the master-minding of international intervention, in a wild attempt to turn Cuba into a second Guatemala and realize their dream of once again drowning the people of Cuba in blood.

Recently, U.S. imperialism has been redoubling its activities and clamouring for intervention in Cuba, with the aim of undertaking armed aggression. U.S. imperialism engineered the explosion of an arsenal in Havana; it openly announced that it intended to perpetuate its occupation of the Guantanamo naval base and is continually sending reinforcements to that base; it has protected and armed war criminals and counter-revolutionaries with a

view to organizing them into an advance detachment for aggression against Cuba; it has stopped shipments of oil to Cuba and cut the Cuban sugar import quota for the U.S. market in an attempt to strangle Cuba economically. Rockefeller has openly demanded that U.S. marines should land on Cuba. Eisenhower, chieftain of U.S. imperialism, in an arrogant and irrational statement on July 9, styled himself master of the Western hemisphere, and announced that efforts to engineer intervention in Cuba would be intensified by continuing to utilize the series of treaties imposed upon the Latin American countries by the United States. The United States is trying its utmost to use the obedient tool of Washington—the foreign ministers conference to be convened by the Organization of American States shortly—to "discuss" the Cuban problem and start international intervention against Cuba.

Both parties stress: this whole series of activities shows most clearly that U.S. imperialism wants, as quickly as possible and by any and all means, to strangle the Cuban revolution and suppress the mounting patriotic and just struggles in the Latin American countries against U.S. imperialism and its lackeys in these countries.

Both parties unanimously and severely condemn U.S. imperialism for its occupation down to this day of the Chinese People's Republic's territory of Taiwan, its constant creation of tension in the Taiwan Straits area and its conclusion of the new U.S.-Japan military alliance treaty with the Kishi government of Japan. Both parties severely condemn Eisenhower, the chief of U.S. imperialism, for his gangster trip to the Far East, which was designed to strengthen the U.S. aggressive front in Asia and plan new wars.

Both parties unanimously point out that the criminal activities of U.S. imperialism in the above-mentioned areas are part of its overall policy of aggression and war. U.S. imperialism is stepping up its arms expansion and war preparations. It torpedoed the four-power conference of heads of government and the ten-nation disarmament conference. Even after its U-2 espionage plane was shot down by the Soviet Union and Eisenhower announced the "suspension" of such aggressive activities, an RB-47 military plane was sent on July 1 once again to invade the territorial air of the Soviet Union. In Africa, the United States is

actively planning large-scale international armed intervention against the Republic of Congo.

All this proves that U.S. imperialism is not only the most vicious enemy of the peoples of Cuba and Latin America, of China and other countries in Asia and Africa but is also the common enemy of all peace-loving people throughout the world. U.S. imperialism, in supporting the reactionaries of various countries and doing all kinds of evil things, has aroused increasingly strong opposition from people of all countries in the world and dissatisfaction among the workers and peace-loving people in the United States itself. A worldwide storm of struggle against U.S. imperialism and its lackeys is rising. U.S. imperialism is unprecedentedly isolated and things become more and more difficult for it with every passing day.

## II

Both parties are unanimous in the view that the victory of the Cuban revolution marks a new stage in the struggle of the Latin American peoples for national liberation. After protracted and arduous armed struggles, the Cuban people have at last overthrown the U.S.-fostered reactionary dictatorial regime and have adopted a series of important revolutionary measures to preserve national sovereignty, develop the national economy and carry out land reform; despite U.S. threats, they have firmly set their feet on the road of complete independence. The Cuban workers and people have displayed revolutionary heroism and an indomitable fighting will.

The All-China Federation of Trade Unions holds that the heroic struggle waged by the workers and people of Cuba under the leadership of Prime Minister Fidel Castro has not only breached the chain of colonialism imposed by U.S. imperialism on the Latin American peoples, but has also given convincing proof to the peoples of the Latin American countries that U.S. imperialism is not so awesome. So long as a firm struggle is waged — and it must be a firm struggle — the enemy can be dealt blow after blow and victories will be gained. Inspired by the Cuban people's revolutionary victories, the national and democratic revolutionary movements in the Latin American countries are growing in an unprecedented way.

The Cuban Confederation of Workers considers that the victory of the Chinese revolution led by the great leader Mao Tse-tung has broken the chains of imperialist rule in Asia and is illumining the road of liberation for the peoples of the colonial and dependent countries.

The Chinese workers and people, who suffered from long years of imperialist aggression and oppression and today are still suffering from U.S. aggression and threats, deeply understand and sympathize with the past sufferings and present struggles of the Cuban workers and people. The Chinese workers and people have consistently given their support to the revolutionary struggle of the Cuban workers and people. They take the struggle of the Cuban workers and people as their own. They look upon the victories of the Cuban workers and people as their own and look upon every achievement of the Cuban workers and people as a powerful support and encouragement to themselves. The workers and people of Cuba, in their just struggle, can rest completely assured of the fraternal and firm support of the Chinese workers and people.

The Cuban Confederation of Workers expresses its firm support for the just struggle of the Chinese people to liberate Taiwan and oppose U.S. imperialist aggression.

The Cuban Confederation of Workers appeals to the workers and trade union organizations of all countries to keep a careful watch and maintain vigilance against the current danger of military intervention by U.S. imperialism against Cuba; to take positive action in support of the struggles of the Cuban workers and people to defend the revolution and oppose U.S. imperialist intervention, particularly at this time when the threat of U.S. imperialist military intervention is growing daily. Both parties point out emphatically that the U.S. acts of aggression against Cuba gravely threaten world peace, just as the Cuban Minister of Foreign Affairs pointed out in his letter of accusation recently sent to the Security Council of the U.N. The All-China Federation of Trade Unions warmly supports the just demand of the Cuban Confederation of Workers and believes that its appeal will assuredly get a response and win support from the workers and trade union organizations of all countries, particularly of the Asian and African countries.

## III

Both parties are gratified to note that a vigorous tide of national and democratic revolution is sweeping the whole of Latin America, that the storm is rising and growing among the peoples of the Asian countries opposing U.S. imperialism and its lackeys, and that the national independence movements of the peoples of the African countries are growing vigorously. The just struggles of the peoples in all countries of the world support each other.

Both parties unanimously declare their firm support for the national and democratic movements being carried on by the peoples of the Asian, African and Latin American countries. Both parties express admiration for the Algerian people in their heroic struggle against colonialism and for national independence and give firm support to their national liberation war. Both parties firmly support the patriotic and just struggle of the Congolese army and people and oppose armed intervention in the Congo. Both parties firmly support the patriotic and just anti-U.S. struggles of the peoples of Japan, south Korea and Turkey; firmly support the peoples of the Dominican Republic, Nicaragua and Paraguay in their just struggles against U.S. imperialism and its lackeys; firmly support the peoples of Panama and Puerto Rico in their struggles for sovereignty and national independence.

Both parties note with gratification that there has been a tremendous growth in the solidarity and mutual support in the struggles of the peoples of the Asian, African and Latin American countries against imperialism and colonialism headed by the United States. The movement to support Cuba among the workers and peoples of the Latin American countries has become a broad mass movement. The solidarity among the working class and trade union organizations in Latin America is growing from day to day. Both parties are confident that the just struggles of the workers and peoples of Asia, Africa and Latin America will certainly win final victory with the firm

support of the socialist camp headed by the Soviet Union and with the broad unity and mutual support of the working class and peoples of the whole world.

#### IV

Both parties note with satisfaction that, since the victory of the Cuban revolution in January 1959, the friendship between the workers and trade unions of China and Cuba, forged in the struggle against their common enemy, U.S. imperialism, has developed tremendously. On the occasion of this year's May 1 International Labour Day, delegations were sent to each other's country and this has increased the mutual understanding and fraternal friendship between the workers and trade unions of the two countries. The All-China Federation of Trade Unions is happy to see that the Cuban workers united around the Cuban Confederation of Workers have contributed greatly to the defence of the Cuban revolution, the development of the national economy, the carrying out of the agrarian reform and the struggle against U.S. imperialist aggression and intervention. It is also happy to see the positive efforts the Cuban Confederation of Workers has made to improve the livelihood of the Cuban workers. The Delegation of the Cuban Confederation of Workers made a successful visit to the People's Republic of China in July 1960 and signed

a joint statement with the All-China Federation of Trade Unions. This marks a new development in the friendly relations between the workers and trade unions of China and Cuba.

Both parties agree that the trade unions of both countries will strive to consolidate and further develop the solidarity and mutual support between the working class of China and Cuba in their struggle against imperialism and for the safeguarding of world peace, and continue to exchange delegations and experience in trade union activities. Both parties are convinced that the friendly relations between the trade unions of China and Cuba will further promote the solidarity of the trade union movements in Asia and Latin America, and contribute positively to the strengthening of the solidarity of the international trade union movement.

**Liu Ning-I**

*President of the All-China Federation  
of Trade Unions*

**Odon Alvarez de la Campa**

*Foreign Relations Secretary of the  
Cuban Confederation of Workers*

July 16, 1960

---

## Solidarity with the Congolese People!

The flagrant attempt of the imperialists to strangle the young Congolese Republic by force of arms has deeply angered the Chinese people. With one accord, their popular organizations and press have condemned the imperialists headed by the United States for this naked act of aggression; they have extended wholehearted support to the Congolese people in their patriotic struggle.

In a cable to Premier Lumumba of the Republic of Congo on July 12, Liu Chang-sheng, President of the Chinese-African People's Friendship Association, paid the highest tribute to the Congolese people's heroic struggle for national independence and sternly denounced the criminal armed intervention staged by the Belgian colonialists supported by the U.S.-led imperialist bloc.

The message notes that the Belgian colonialists' armed intervention has unmasked their vaunted "bestowal" of independence and exposed their ambition to perpetuate their domination of the Congo. The imperialist bloc headed by the United States has hastily colluded with the Belgian colonialists in their bloody attempt to crush the struggle of the Congolese people for independence. This has once again proved to the peoples of the Congo and of all the world that the imperialists are by no means reconciled to a voluntary retreat from their African colonies, and that U.S. imperialism in particular is trying by every means to penetrate into Africa and supplant the old imperialists. U.S. imperialism, the message stresses, is the No. 1 enemy of all peoples fighting for independence, democracy, freedom and peace.

Hailing Premier Lumumba's statement that "we shall defend our country to the last drop of our blood," the message pledges: "The Chinese people will always stand by the Congolese people and firmly support their just struggle for national independence."

"We are firmly convinced," the message concludes, "that with the support of peace-loving people all over the world, the Congolese people, united and persistent in struggle, will surely be able to drive imperialism out of the Congo; and that the African peoples, united and persistent in struggle, will surely be able to expel imperialism from Africa. Victory belongs to the Congolese and other African peoples!"

In an interview with the Hsinhua News Agency, a spokesman of the All-China Federation of Trade Unions pledged the full backing of China's workers for the Congolese people's struggle. He pointed out that the Belgian colonialists in their armed aggression have the full support of the imperialist bloc headed by the United States. He recalled that U.S. imperialism has made big inroads into the Congo since the Second World War. The U.S. investment in the Congo is second only to Belgium's; it totals 600 million U.S. dollars. The U.S. imperialists have aggressive military bases in the Congo and when the Belgian colonialists dispatched troops to massacre the Congolese demonstrators in Leopoldville in January 1959, they were flown in from U.S. military bases. The U.S. imperialists are engaged in a frantic plundering of strategic materials from the Congo; almost all of the uranium mined there is sent to the United States. U.S. troops now stand ready to enter the Congo. The hurriedly plotted action of the old and new colonialists to prevent the Congolese people from achieving complete independence, the A.C.F.T.U. spokesman stressed, exposes the bestial nature of the imperialist countries and made more and more people understand that U.S. imperialism is the most vicious enemy of the peoples the world over.

The Chinese Committee for Afro-Asian Solidarity and China's youth, student and women's organizations have also issued statements of support for the Congolese people.



# All-Out Support for the Just Demands of Democratic Republic of Viet Nam

## Foreign Minister Chen Yi's Letter in Reply to Foreign Minister Pham Van Dong

U.S. military personnel and arms and munitions unlawfully introduced into the southern part of Viet Nam must be immediately withdrawn and transported out of there. Measures must be taken to compel the authorities in the southern part of Viet Nam to end the retaliatory and discriminatory acts against former resistance members.

*Following is the text of a letter of reply from Foreign Minister Chen Yi to Foreign Minister Pham Van Dong, expressing the Chinese Government's full agreement with, and all-out support for, the just request of the Government of the Democratic Republic of Viet Nam to the co-chairmen of the Geneva Conference. — Ed.*

Peking, July 11, 1960

**Comrade Pham Van Dong, Minister of Foreign Affairs of the Democratic Republic of Viet Nam**

**Dear Comrade Minister,**

I have the honour to acknowledge receipt of your letter of June 24, 1960, and the attached copy of your letter of the same date to the co-chairmen of the Geneva Conference on Indo-China.

I would like, on behalf of the Government of the People's Republic of China, to say to you that the Chinese Government fully agrees and gives all-out support to the just request made in your letter to the co-chairmen of the Geneva Conference for the latter to instruct the International Commission for Supervision and Control in Viet Nam: 1. to reconsider and cancel its decision allowing the introduction into the southern part of Viet Nam of U.S. military personnel on the pretext of replacing personnel of the French expeditionary corps who have already been withdrawn and at the same time to take measures to put an end to all U.S. imperialist interference in the southern part of Viet Nam, and withdraw the U.S. military organization called M.A.A.G. from southern Viet Nam; 2. to reconsider and cancel its decision on "Law No. 10 of 1959" of the authorities in southern Viet Nam and adopt measures to compel the latter to strictly implement Article 14(c) of the Agreement on the Cessation of Hostilities in Viet Nam, and to end the retaliatory and discriminatory acts against former resistance members in southern Viet Nam.

The Chinese Government deems that the fulfilment of the above-mentioned reasonable request of the Government of the Democratic Republic of Viet Nam will be conducive to the relaxation of existing tension in Indo-China.

NEARLY six years have passed since peace was restored in Indo-China. In these six years, U.S. imperialism has not only obstructed the peaceful reunification of Viet Nam, but also ceaselessly violated the 1954 Geneva agreements by introducing new arms and military personnel into the southern part of Viet Nam and other parts of Indo-China in an attempt to perpetuate its occupation of southern Viet Nam and turn it into a U.S. military base for aggression against other Southeast Asian countries.

U.S. imperialism's scheme to dispatch large number of military personnel to southern Viet Nam under the pretext of "rotating" the personnel of the French expeditionary corps who ought to be and have long been withdrawn is a new development of the above-mentioned military adventurist policy of the United States. It must be pointed out that the Geneva agreements strictly prohibit the introduction into Viet Nam of foreign troops and military personnel as well as all kinds of arms and munitions. The Indian and Canadian delegates on the International Commission for Supervision and Control in Viet Nam, disregarding the just opposition of the Polish delegate, voted to sanction the introduction of U.S. military personnel into Viet Nam, thus causing the Geneva agreements and the basis of peace in Indo-China to be seriously violated, and bringing about instability in the situation in Viet Nam and Indo-China since the cessation of hostilities.

The Chinese Government is of the opinion that U.S. military personnel and arms and munitions unlawfully introduced into the southern part of Viet Nam must be immediately withdrawn and transported out of there, and expresses the hope that the countries concerned will give serious consideration to the just demands of the Government of the Democratic Republic of Viet Nam, so that peace in Indo-China can be maintained.

I avail myself of this opportunity to renew to you the assurances of my highest consideration.

**CHEN YI**

*Minister of Foreign Affairs  
of the  
People's Republic of China*

# China Strongly Protests Against Killing Of Overseas Chinese at Tjimahi

The Chinese Government demands that the proper rights and interests of overseas Chinese in Indonesia be protected, reiterates its desire to uphold friendly relations between the two countries and reaffirms its stand on an overall, reasonable settlement of the overseas Chinese question.

On July 11, 1960, the Chinese Foreign Ministry delivered a note to the Indonesian Embassy in China. The text follows.—Ed.

THE Ministry of Foreign Affairs of the People's Republic of China presents its compliments to the Indonesian Embassy in China and, with reference to the sanguinary incident in which troops and police sent by the Indonesian military authorities of West Java to Tjimahi, Periangan Residency, West Java, to forcibly evacuate overseas Chinese, opened fire and killed overseas Chinese, has the honour to make the following statement which the Embassy is requested to transmit to the Indonesian Government.

On July 3, 1960, the West Java military authorities sent tens of armed troops and police to Tjimahi, Periangan Residency, West Java, to forcibly evacuate the local overseas Chinese. During the forcible evacuation, Indonesian troops and police went so far as to fire sub-machine gun on bare-handed overseas Chinese women and children. Yang Mu-mei, four months pregnant wife of overseas Chinese Lin Tun-hua, was hit and died immediately. Yeh Chin-niang, wife of overseas Chinese Lin Yu, was hit by seven bullets. While she was lying on the ground and crying for help, the troops and police not only forbade others to give help, but threatened to open fire on anybody approaching to help her. It was only at the request of overseas Chinese that Yeh Chin-niang was taken to hospital half an hour later. But being too seriously wounded, Yeh Chin-niang died on the way. In addition, two other overseas Chinese were wounded and several arrested. In the same afternoon the West Java military authorities again dispatched three tanks fully loaded with armed personnel to patrol Tjimahi to create an atmosphere of terror and intimidate the overseas Chinese, and declared that it would make no difference to kill more overseas Chinese. After the tragic incident, Mao Hsin-yu, Consul of the Chinese Consulate-General in Djakarta, who was spending

holiday in Bandung, immediately raised the demand with the West Java military authorities that joint on-the-spot investigation be made. However, this reasonable demand was unreasonably rejected. The Chinese Government hereby lodges a strong protest with the Indonesian Government against this atrocity of killing innocent overseas Chinese perpetrated by the Indonesian military authorities of West Java.

The course of events shows that the tragic incident of overseas Chinese being killed at Tjimahi was by no means fortuitous. Recently, activities of opposition and discrimination against the Chinese have been further intensified in Indonesia. Following the incidents of forcible detention of the *S.S. Tai Poo Hong* and forcible house arrest of the Chinese Consul at Bandjarmasin Chiang Yen by the Indonesian authorities concerned, the West Java military authorities launched a second large-scale campaign of compulsory evacuation of overseas Chinese by armed force starting from the latter part of May 1960. In the course of the compulsory evacuation, Indonesian troops and police have used all sorts of high-handed measures against the overseas Chinese, such as arrest, interrogation, beating, cutting off supplies of water and electricity to living quarters and sealing up houses and properties. The Tjimahi military authorities even openly threatened that they would not scruple at creating bloody incidents to force the overseas Chinese to evacuate. This tragic incident of killing overseas Chinese was obviously deliberately created by forces hostile to Sino-Indonesian friendship.

It must be pointed out that in late 1959 and early 1960 when the West Java military authorities launched their first campaign of compulsory evacuation of overseas Chinese by armed force, the Chinese Government and the Chinese Embassy in Indonesia took up the matter with the Indonesian Government, demanding that the proper rights and interests of the overseas Chinese be protected and the compulsory evacuation and all persecution of overseas Chinese be stopped. In his reply letter to Foreign Minister Chen Yi dated March 26, 1960, His Excellency Subandrio, Foreign Minister of Indonesia, explicitly stated that the Indonesian Government had already met the demand of the Chinese Government to stop the compulsory evacuation by force of arms in West Java. During his talk with his Excellency Foreign Minister Subandrio on June 29, Ambassador Huang Chen made representations on the second campaign of compulsory evacuation by force of arms in West Java and demanded that the Indonesian Government immediately adopt measures to stop it. His Excellency Foreign Minister Subandrio said that the Indonesian Government had already sent Suska, Director of the Asian and Pacific Department of the Foreign Ministry,

to Bandung to investigate into and stop the activities of compulsory evacuation. It is, however, extremely regrettable that the second campaign of compulsory evacuation of overseas Chinese in West Java, far from being stopped, was intensified and there even occurred this tragic incident of killing overseas Chinese at Tjimahi. This is diametrically opposed to the promises repeatedly given by the Indonesian Government.

**T**HE Chinese Government has always deemed the upholding of friendly relations between China and Indonesia to be in accord with the aspirations and fundamental interests of both peoples. The Chinese Government has also consistently stood for a reasonable overall settlement of the question of overseas Chinese in Indonesia through negotiation. The tragic incident of overseas Chinese being killed at Tjimahi cannot but greatly shock the Chinese Government. It has aroused the extreme indignation of the Chinese people as well as the broad masses of overseas Chinese, thus seriously affecting relations between the two countries. With a view to upholding Sino-

Indonesian friendship and safeguarding the proper rights and interests of the overseas Chinese, the Chinese Government firmly demands that the Indonesian Government make open apology for this atrocity of killing overseas Chinese by West Java troops and police, severely punish the murderers of overseas Chinese at Tjimahi, give pensions to the families of the overseas Chinese victims, bear the medical expenses of the wounded overseas Chinese and compensate them for their losses, speedily release the arrested overseas Chinese, and take effective measures at once to ensure against the recurrence of similar incidents in the future. The Chinese Government also demands that the Indonesian Government stop at once the compulsory evacuation and various persecutions of the overseas Chinese. The Chinese Government is awaiting a reply from the Indonesian Government

The Ministry of Foreign Affairs of the People's Republic of China avails itself of this opportunity to renew to the Embassy of Indonesia the assurances of its highest consideration.

Peking, July 11, 1960

人民日报  
RENMIN RIBAO

## Upholding Friendly Relations Between China and Indonesia

*Following is a translation of a "Renmin Ribao" editorial of July 14. — Ed.*

**T**HE Chinese Ministry of Foreign Affairs has sent a formal note to the Indonesian Government and lodged a strong protest with it over the sanguinary incident of July 3, 1960, in which Indonesian troops opened fire and killed overseas Chinese women at Tjimahi, West Java, Indonesia. The tragic incident of the killing of overseas Chinese at Tjimahi has aroused immense indignation among the Chinese people and the broad masses of overseas Chinese. The Chinese people fully support the just stand taken by the Chinese Ministry of Foreign Affairs in its note to the Indonesian Government.

The West Java military authorities sent troops to Tjimahi to compel the evacuation of the overseas Chinese by force of arms. During the forcible evacuation, Indonesian troops opened fire and precipitated the sanguinary incident in which two overseas Chinese women were killed and two overseas Chinese wounded. This was an extremely grave incident in the activities of opposition and discrimination against the Chinese in Indonesia. But, after the Tjimahi incident, forces hostile to Sino-Indonesian friendship in Indonesia not only had no intention of expressing any regret over it but even did their utmost to distort the truth and deny their crime of shoot-

ing and killing overseas Chinese. They even made false countercharges in a vain attempt to shift the responsibility for the tragic sanguinary incident onto the overseas Chinese. Soenarjo, a responsible official of the Indonesian Central Information Department, alleged that the "activities" of overseas Chinese "were very irresponsible." Lieutenant Colonel Nawaivi Alif, Information Officer of the Indonesian Sixth Military Regional Command, fabricated facts so crudely that in the same statement, he alleged, on the one hand, that "overseas Chinese clubbed and stoned the troops and police — therefore, the latter opened fire"; and on the other hand, that "the troops and police did not open fire intentionally — their arms went off and this was so because these overseas Chinese tried to seize the arms." It would not be difficult to see that since the troops had actually "opened fire," how then can it be said that "the arms went off"? Can the sanguinary facts be concealed by self-contradictory arguments? The West Java military authorities can in no way escape their criminal responsibility for the killing of innocent overseas Chinese.

**A**S is generally known, due to the series of major efforts made by the Chinese Government and people in the interests of upholding friendship between the two countries and due to the co-operation of the Indonesian

side, certain progress had been made on the overall settlement of the question of overseas Chinese existing between China and Indonesia. After the publication of the joint communique on talks between Chinese Foreign Minister Chen Yi and Indonesian Foreign Minister Subandrio last October, the Chinese and Indonesian Governments exchanged instruments of ratification of the treaty on the question of dual nationality and set up a joint committee for the implementation of the treaty. Later, the Chinese Government took the initiative in sending ships to bring back to China those overseas Chinese who had lost their means of livelihood as a result of the compulsory evacuation by force of arms. To date, the Sino-Indonesian committee responsible for the implementation of the treaty on dual nationality has held 18 meetings and obtained some initial agreement. Although influential circles in Indonesia still carried on their activities of opposition and discrimination against the Chinese, thanks to the common efforts of the peoples of the two countries, certain signs of relaxation had already emerged in the tense relations between the two countries arising from the overseas Chinese question. People were justified in hoping that through the continued efforts of the Chinese and Indonesian sides, the overseas Chinese question would be settled step by step and the friendly relations between China and Indonesia would be upheld and developed.

NEVERTHELESS, the handful of forces in Indonesia hostile to Sino-Indonesian friendship obviously do not want to see a speedy overall settlement of the overseas Chinese question, still less the development of friendly relations between China and Indonesia. They have engineered one unfortunate incident after another. In April this year, there took place in Selatpandjang, Riau Province of Indonesia, the incident of the detention, by armed personnel dispatched by the procuratorial authorities, of the *S.S. Tai Poo Hong* which China had sent there to take back overseas Chinese, and also in Samarinda of East Kalimantan Province the incident of the forcible house arrest by local military authorities of the Chinese Consul at Bandjarmasin Chiang Yen who had gone there to help send back home the victimized overseas Chinese. Starting from the latter part of May, the West Java military authorities launched a second large-scale campaign of compulsory evacuation of overseas Chinese, using all sorts of high-handed measures, such as arrest, interrogation, beating, cutting off water and electricity supplies to living quarters and sealing up houses and properties. And now these were followed by the tragic bloody incident at Tjimahi. These facts show that the handful of Indonesian elements who have ulterior motives have consistently and deliberately worked to create incidents and aggravate them, and spared no effort to obstruct a reasonable settlement of the overseas Chinese question and poison relations between China and Indonesia, with a view to achieving their dirty aims of pleasing U.S. imperialism abroad and striking at the patriotic democratic forces and all opposition forces at home.

It is most obvious that the criminal activities of this handful of Indonesians go directly against the promises repeatedly given by the Indonesian Government and the desire for friendship it has expressed. The Chinese Government and the Chinese Embassy in Indonesia have on

many occasions approached the Indonesian Government with demands for the protection of the proper rights and interests of the overseas Chinese and the cessation of forcible evacuation and all persecution of overseas Chinese. Indonesian Foreign Minister Subandrio, in his reply to Foreign Minister Chen Yi on March 26, 1960, explicitly stated that the Indonesian Government had fulfilled the demands of the Chinese Government to stop the compulsory evacuation of overseas Chinese by force of arms. He added in the letter that the overseas Chinese question "can only be settled . . . when it is met with discretion by both sides," and that "the atmosphere of friendship be always the guiding principle in solving this difficult problem." Of course, the Chinese Government and people would like to see these expressions of friendship of the Indonesian Government fully realized for the benefit of the friendly relations between the two countries. But the occurrence of such incidents as the compulsory evacuation by force of arms in West Java and the killing of overseas Chinese at Tjimahi is not in keeping with the expressions of friendship of the Indonesian Government.

The handful of reactionary elements in Indonesia hostile to Sino-Indonesian friendship have been vainly seeking to make the Indonesian people believe that Indonesia can be benefited simply by currying favour with U.S. imperialism. But the people see things most clearly, for facts have told the Indonesian people that U.S. arms are being sent in a steady stream to strengthen the Dutch colonial forces occupying the Indonesian territory of West Irian, and to support the Dutch colonialists in their military provocations against Indonesia and their perpetual occupation of West Irian. Can this policy of currying favour with U.S. imperialism conform to the national interests of Indonesia?

THE Chinese people are fully aware that the handful of Indonesian reactionary elements hostile to Sino-Indonesian friendship, those who engineered the Tjimahi incident of killing overseas Chinese can in no way represent the broad masses of the Indonesian people. The Indonesian people are friendly to the Chinese people. The broad masses of overseas Chinese have worked industriously for generations on Indonesian soil and cemented close friendship with the Indonesian people. When the innocent overseas Chinese were persecuted, they were given deep sympathy and warm assistance by the Indonesian people and even by quite a number of local officials, army officers of lower rank, policemen and soldiers. Many Indonesian friends bade affectionate farewells and parted lingeringly with the overseas Chinese returning to China, showing their profound friendship with the Chinese people. After the Tjimahi incident, among those who went to pay their last respects to the victims of the incident were many Indonesian friends besides overseas Chinese. It is clear from this that the broad sections of the Indonesian population are against the activities of opposition and discrimination against the Chinese and that the handful of reactionary elements hostile to Sino-Indonesian friendship are extremely isolated from the Indonesian people. The friendship between the Chinese and Indonesian people can never be shaken by any reactionary forces. Despite the incidents of opposition and discrimination against the Chinese in Indonesia, even after the sanguinary incident

at Tjimahi in which overseas Chinese were tragically killed, the Chinese people have always valued and upheld the profound friendship formed between the peoples of the two countries in the course of their protracted common struggle against imperialism. The Chinese people have firmly supported, now firmly support and will continue in the future to firmly support the Indonesian people's just fight against the forcible seizure of West Irian by the Dutch colonialists.

**R**EGARDING the question of the overseas Chinese, the Chinese Government, proceeding from the desire to uphold the friendly relations between China and Indonesia, has always stood and still stands now for a reasonable, overall settlement through friendly negotiations in accordance with the Five Principles of Peaceful Coexistence and the spirit of the Bandung Conference. But, it is precisely for the sake of upholding friendly relations between the two countries that the Chinese Government, in its note to the Indonesian Government in connection with the Tjimahi incident, firmly demands that the Indonesian

Government make open apology for the incident, severely punish the murderers of overseas Chinese at Tjimahi, give pensions to the families of the overseas Chinese victims, bear the medical expenses of the wounded overseas Chinese and compensate them for their losses, speedily release the arrested overseas Chinese, and take effective measures at once to ensure against the recurrence of similar incidents in the future. The Chinese Government also demands that the Indonesian Government stop at once the compulsory evacuation and various persecutions of the overseas Chinese. All these demands of the Chinese Government are reasonable. We hope that the Indonesian Government, proceeding also from a similar desire to uphold friendly relations between the two countries, will make a judicious reply. We hope that the Indonesian Government will make positive efforts to remove the obstacles and work jointly with the Chinese Government to seek an overall and reasonable settlement of the overseas Chinese question existing between the two countries, so as to conduce to the maintenance and development of their friendly relations and to Asian and world peace.

### All Support to Agriculture

# Industrial Aid to the Rural Communes: A New Way

by HUA CHU-CHING

**W**ITH industry in the lead, all the other branches of city activity are going into action to help China's rural communes. They are giving increasingly substantial help to the people's communes in building engineering and other plants, training commune technicians, ensuring adequate supplies of needed equipment and materials, devising new methods of production and farm management, establishing research organizations and improving cultural and health work.

Speeding up the technical transformation of agriculture is a strategic task in the period of socialist construction. When socialist construction in China entered the new stage of the continuous leap forward, the Central Committee of the Communist Party and Chairman Mao Tse-tung pointed out that in developing the national economy agriculture must be taken as the foundation and industry as the dominant factor and that the speeding up of agricultural growth is the central link in the high-speed and proportionate development of the national economy.

Liaoning Province offers some striking examples of how this task is being tackled and how its industry aids its agriculture.

In this Northeast China province, industry, which is technically advanced, provides a bigger share of total production than agriculture, which is relatively backward. Agricultural growth lags behind the needs of a powerful industry. To ensure that Liaoning's economy is to develop continually at high speed and its people's livelihood further improved, the technical transformation of agriculture

and its growth must be speeded up, and agricultural backwardness must be changed by making full use of the advanced industrial techniques available. The industrial front is duty-bound to shoulder this task by fully exploiting all its resources.

Liaoning is working hard to do this. As in other parts of China, the mass movement to give industrial support to agriculture has been surging forward since the beginning of the year. It started first in the industrial enterprises. As it got going a new and successful form of organizing aid emerged. Plants and mines have been establishing direct contacts, or, as they call it, "hooking up" with rural communes and giving them whatever aid they can—materials, machines, technical know-how, etc.

The most popular method is for one plant to aid one or more communes. A second way is to organize several plants or mines into a group which "adopts" one or more communes. The third way differs from the others by going beyond municipal boundaries: such groups of plants and mines in industrially advanced areas have "hook-up" relations with rural communes in other municipalities where industry is not so well-developed.

### Effective Aid

Active aid to agriculture, planned and organized on a large scale, has paid big dividends in the past few months. City plants have helped the rural people's communes build or expand workshops to repair and make farm machinery. Factories and mines have done their best to

provide machine tools, engines and other equipment for such commune engineering plants, which serve the farms directly and will constitute key bases for their technical transformation. Those undertaking to provide this help go the whole hog if need be, delivering the goods, installing equipment and seeing to maintenance, operation and normal production until the commune's trainees are ready to take over.

**Thanks to this assistance, a network of machine repair works is appearing throughout Liaoning's countryside. More than 90 per cent of its rural communes have their own farm machinery workshops,** most of them with from two to four machine tools and other equipment. Calculations are that within this year the production brigades of these communes will be able to handle all minor repairs themselves while the communes will be well equipped to make common farm tools, machine parts and handle medium repair jobs. This will be the case even for a considerable number of communes in remote mountain areas.

While helping the communes set up their repair works, factories and mines have gone a step further — helping the communes develop other industrial enterprises. Making use of their special resources, many plants and mines have helped the communes build indigenous railways, small power stations, blast furnaces, coal mines and other basic and raw material producing enterprises. They have also given a boost to the communes' efforts to make multi-purpose use of farm and subsidiary agricultural products.

**Secondly, the city industrial plants have given welcome aid to the communes in the tool reform movement centring on semi-mechanization and multi-purpose use of equipment.** The Talien Machine Tool Plant has successfully trial manufactured a "multi-purpose headstock" for the communes that can do the work of several kinds of machine tools. The Kotso County peasants have adapted their diesel and steam engines so that they can be used for many purposes — pumping, threshing, ginning, sawing and crushing fodder. The comprehensive use of irrigation and drainage equipment alone has replaced the labour of about 20,000 men and 14,800 draught animals in this area.

**Thirdly, industrial plants and mines have done a good job training technicians for the communes.** Commune workers are being trained in city plants and mining enterprises while skilled urban workers are passing on their technical knowledge in the communes themselves. The greater part of the more than 9,000 skilled workers newly trained for the communes have specialized in the repair of tractors, irrigation and drainage equipment and other kinds of farm machines. The Talien Industrial and Mining Vehicles Works gives a good example of what has been done. Besides training about 100 skilled workers this year for the commune with which it is linked, it is sending a number of its own skilled workers to the commune to give technical advice and teach in the commune's spare-time technical school.

**Lastly, urban enterprises are helping many communes work out plans for the technical transformation of agricul-**

**ture.** Many have also made their own plans to support the growth of the communes.

This "hooking up" of plants and communes has opened up many encouraging prospects for industrial aid to agriculture and the swifter growth of industry as well. Industrial personnel have put forward the slogan: "Reap a bumper harvest in both aid to agriculture and industrial production." Inspired by the drive to give better aid to agriculture, many plants have fulfilled their production quotas ahead of schedule. An electric motor plant in Talien put 24 old lathes on a semi-automatic basis in a three-day drive and thus completed its plan for the technical transformation of its old lathes ahead of time. It promptly sent lathe parts made surplus by the automation drive to its "adopted" commune.

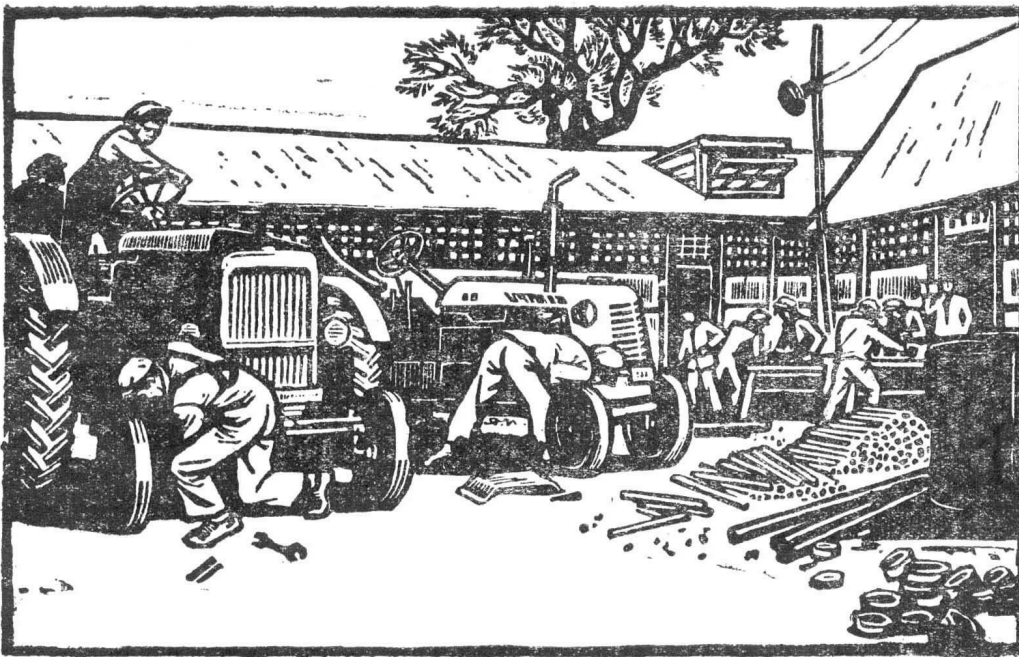
Industrial aid to agriculture is treated in Liaoning as a task that goes on all the time but that must make provision for seasonal needs. In Shenyang, the aid given is directed first to machine repair plants and other commune-run industries and training their technical forces. But Shenyang also pays attention to help solve seasonal production problems. Last spring Shenyang's industrial and mining enterprises mobilized about 1,000 skilled workers to overhaul farm machines and tools in the communes and close to 50,000 workers, employees and students went out to lend a hand with the spring sowing. In this way its aid takes care of both the fundamental, long-term needs and current needs of the communes.

### **A Natural Development**

The form of mutual aid now evolving between industrial plants and communes in Liaoning as well as in other parts of the country stems inevitably from the political and economic development of China, from socialist construction under the three banners of the general line, the big leap forward and the people's communes. When the Liaoning peasants organized their mutual-aid teams and farm co-ops after the land reform, workers and other employees went regularly to the villages to help farm work and enjoy get-togethers with the peasants during the New Year and other holidays. Such relations were particularly close between farm co-ops in suburban districts and city plants, and two years ago, some industrial and mining units in Shenyang, Lushun-Talien, Anshan and Yingkow had already established regular ties with nearby farm co-ops to give them clearly specified items of aid.

Now with China's national economy entered on a new historical period of continuous leap forward, the relations between industry and agriculture, town and countryside have undergone new changes. With the establishment of the communes, farm output has greatly increased, the rural economy diversified and greatly expanded, and the peasants have gone in for farm water conservancy work and tools reform on a massive scale. This, of course, calls for big support from industry. But on the other hand, the rapid progress made by industry ensures that big support is forthcoming. Furthermore, industrial progress itself demands a corresponding growth in agriculture.

At the present time, it is clear that there is a limit to the aid, powerful though it is, which industry can give to



Commune Tractor Repair Station

Woodcut by Li Hua

the rural regions. The rural communes, therefore, still have to rely mainly on their own resources for the technical transformation of agriculture. The mass movement of industrial aid to agriculture and urban aid to the countryside must be complemented by the campaign launched by the rural communes themselves for their own technical transformation. These two movements complement and promote each other.

### Politics in Command

The question of the worker-peasant alliance is of key importance both in revolution and construction. With the establishment of urban and rural people's communes and the start of a new stage in socialist construction that alliance in our country has entered a new stage. Since the technical transformation of agriculture on a large-scale is one of the essential tasks at this stage, it becomes all the more necessary to strengthen the links between industry and agriculture, town and countryside. The "hooking up" of plants and rural communes has proved itself to be a very effective means of giving industrial aid to agriculture, a new form of strengthening the worker-peasant alliance.

The sweeping success of this new type of organizational link-up between the cities and the communes is due, first and foremost, to the Party's leadership and adherence to the principle of "placing politics in command." The campaign is inspired by a deep understanding among the workers and city population of the meaning of industrial aid to agriculture: an awareness that it aims not only at promoting the big leap in agriculture but also in industry and the national economy as a whole and that it is one of the important tasks which face the working class.

When the reasons for giving aid to agriculture were made clear to the workers and employees in thorough discussions in Liaoning, they put forward the slogan:

"Everybody supports agriculture!" Workers in their spare time immediately organized the collection of waste raw materials or repaired machines for the communes. One of the plants under the Fuhsin Mining Administration organized a spare-time "red shock brigade," whose members went out on their holidays to overhaul old machines and do repairs for the communes. Several plants started vigorous campaigns to unearth useful old materials and equipment suitable for rural use. From this the movement advanced rapidly to more effective types of collaborations.

The "hooking up" of plants and communes leads to closer human contacts between the

workers and peasants; it increases their mutual understanding. Besides getting material and technical help from them, the peasants learn from the workers' selfless, collective attitude and the revolutionary spirit of bold thought and action. On their part, the workers get better acquainted with the communes' grand schemes to transform the countryside, they see at first hand the advantages of the people's commune system and the long-term plan of rural construction. This is of enormous help in strengthening the political unity between the workers and peasants and consolidating their revolutionary alliance. The close ties forged find expression in daily talk. You constantly hear workers today referring to "our commune" and peasants talking about "our plant."

The "hooking up" of plants and communes is also proving to be a powerful force in promoting the growth of the agricultural productive forces, speeding up agricultural modernization, bringing in machines to free the peasants from heavy manual labour. That means an all-round improvement in the material and cultural life of the farmers. By gradually bridging the differences between workers and peasants, town and countryside and mental and manual labour, the new factory-commune relations will help provide conditions for the future transition from socialism to communism.

The mass movement of extending industrial aid to agriculture in Liaoning today is still expanding; more and more organizations in other spheres of activity in the province are joining in the movement to aid the rural communes. Centring on the industrial plants, transport enterprises, posts and telecommunications departments, trading and banking services, cultural and educational, health organizations and scientific institutions are rallying round in a co-operative effort to aid the communes. With all sights set on the technical transformation of agriculture and at complete realization of the National Programme for Agricultural Development, the

aim is now to organize the all-embracing aid for the communes — economic, technical, cultural and political — planned on a unified basis, and giving all-round consideration to the communes' needs.

This big scale co-ordinated aid is very effective. Two districts of Shenyang assembled 89 truckloads of materials for the rural communes in a matter of days. In Taian

County 120 enterprises and institutions recently organized a corps of more than 10,000 men and 406 vehicles and sent them to the farms. This aid ranged from supplies of raw materials and funds to health and epidemic prevention work and artistic ensembles.

This all promises extremely well for the future in Liaoning.

## Battle with Nature

# Pushing Back the Deserts of Kansu

by HSIAO MING

CHINA'S deserts cover 1,630 million *mu* — an area approximately equal in size to the country's cultivated land. By far the largest part of these wastelands lie in Inner Mongolia and the Northwest.

Sand-drift, known as the ferocious "yellow dragon" to the local inhabitants, has always stood in the way of the people's livelihood and national construction. Moving southward year by year, it silts numerous rivers and canals and blankets innumerable farms. About 100 million *mu* of farmlands bordering the sand deserts have felt the scourge of sandstorms. That part of the Great Wall which zigzagged its way through northern Shensi Province has, for the most part, been buried in sand. At Minchin County in Kansu Province, some 20 villages with more than 20,000 *mu* of land were submerged with sand in the last two hundred years. The conquest of the "yellow dragon" has long been the need and desire of those who have lived in its path. Today, the battle against the sandstorms is on.

On a map of Kansu Province one can easily spot two vast deserts — the Tengri and the Batankirin — lying to the north of the Hohsi Corridor. Wedged into a sea of sand on three sides is Minchin County. At its westernmost tip is the Sanlei People's Commune whose story concerns us here. This commune with 40 kilometres facing the desert has 26 production brigades, 7,800 households, some 38,000 persons and some 100,000 *mu* of cultivated land. Twenty-four of its production brigades with 7,100 households and 91,000 *mu* of land lived under the constant threat of sandstorms.

### The Curse

In the old days Minchin was a veritable storehouse of misery. Every year between February and May, the sandstorms tied people to their houses; the more religious prayed, but all in vain. Often, what was flat land today became a sand dune the following day and what was now a village became on the morrow a desert. Old records showed that the desert advanced at a rate of three to eight metres a year. Some cultural relics unearthed in the vicinity of the Sanlei People's Commune confirmed the fact that the ancient site of Minchin County was buried in sand several thousand years ago.

The people of this locality had more than natural disasters to contend with. There were the local despots like those of the house of Ma, then the ruling family of the district under the Kuomintang. Maintaining a large camel-cade, the Mas required the local inhabitants to hand in a prescribed amount of camel-fodder and firewood each year; whatever wooden thing or plant survived the furious sandstorms were ransacked for the Mas. And so life became more and more unbearable, and people turned in desperation for refuge elsewhere.

### The Will

Since liberation, the Communist Party has been leading the local peasants in the fight against sandstorms. Although many people believed that sand was "yellow dragon" and "incorrigible" and that Minchin's fate was sealed, the local Communist Party organization never lost faith in the people, understanding that their superstition and pessimism were rooted in their long years of suffering.

A peasant called Hsueh Wan-hsiang was the first to respond to the Party's call. It was he who led his wife and children and several others to make an effort to contain the sand by planting trees along the canals and farms. Some were scornful of the idea and regarded Hsueh with contempt. But he and his comrades were determined and every day they hauled earth for several miles to the site where they were covering the sand with new soil on which tamarisk and wormwood were planted. But these young saplings were no match for the strong wind; all except the Hsuehs were discouraged and gave up. The Hsuehs carried on alone. In 1951 Wan-hsiang was elected a labour model in afforestation. After his trip to Sian where he attended a regional conference on forestry, he started to tour the townships on foot telling of his experiences in fighting against sand by growing trees and other plants to hold it back. Many people were moved by his untiring efforts and came to believe that the "yellow dragon" was not so formidable as they had thought. Before long, Hsueh Wan-hsiang was joined by many others in planting trees along the border line of the deserts, to hold back the encroaching sand. Between 1951 and 1953, some 20,000 *mu* of land in the Sanlei district were afforested, 200,000 *mu* were planted with grass and saplings were cultivated over an area of 295 *mu*. In addition, 50



small sand dunes were covered with new earth as a part of the experiment for transforming the desert. If many local inhabitants thought that the sand was a "yellow dragon" they were now beginning to think that it was a dragon "that must be tamed."

### The Problem

The agricultural co-operation movement brought the struggle against the deserts to a new stage: instead of merely planting trees along the canals and farms, the peasants of the Sanlei district began to build shelter belts on a much larger scale; on the basis of the previous experiments, hundreds of larger sand dunes were covered with earth; forestry advanced with farming not merely as a means to contain the desert but also as an economic factor.

Between 1954 and 1957, nursery gardens and the area of afforestation were greatly expanded salvaging 30,000 *mu* of land from the menace of sandstorms. As all the land along the sand desert was planted with trees to hold the shifting sand in check, it was now possible to reap two harvests a year. Cotton crops began for the first time to be cultivated in that region. Where a shortage of grains had previously existed there was now more than the local population could consume.

But the battle against the desert was far from over. There were 26 agricultural producers' co-operatives in the locality each with an average of 300 households; there was a shortage in manpower, land and tools. In fighting the shifting sand, it often happened that when one co-op built a shelter belt, the sand was diverted to the farms of another. In the absence of overall planning and unified management, no one of the co-ops was in a position to bring the desert under complete control. Moreover, as the share of each co-op in the benefits of sand-control varied, they were not equally enthusiastic about the operations necessary to accomplish it. The Hsuehpai Co-op, for instance, bordered the desert for a length of 15 kilometres; a great section of its farmlands was submerged by the sand. Hsuehpai's members had considered cultivating more saplings but were of two minds on this project because more saplings meant less food crops. Again, members of the Sungho Co-op had wanted to plant trees for firewood on a strip of Hsuehpai's land bordering the sand desert because its own desert border line was too short; this idea however came to naught when the two co-ops failed to reach agreement on the lease.

In this counter-attack against the invading desert the natural trend was to organize facilities and activities on a wider scale. Enthusiasm in afforestation was further heightened when Chairman Mao Tse-tung called on the nation to plant trees all over the country. In 1956, these co-ops broke through the boundary lines that separated



Wind-breaks contain the desert sands by the Great Wall

Woodcut in colour by Liu Kuang

the co-ops and townships and formed a joint committee for sand-control and afforestation. In that one year, people of the Sanlei district covered 620 sand dunes with new earth, planted trees on 28,500 *mu* of land and earned an additional income of 260,000 yuan by forestry alone. Since then, the steady encroachment of the desert has been checked and the sandstorms brought under control.

The victories against the "yellow dragon" were many but still incomplete. To finally bring him to bay, it was necessary to attack him in his very lair—the deserts themselves—and turn them into arable land. This would require greater manpower and financial and other material resources than the co-ops, as a comparatively limited organizational form, could muster.

### The Attack

The people of Sanlei district's own experience and needs were leading them steadily in the direction of the commune form of organization. Essentially the same thing was happening throughout the country. Summing up the nation's experience, Chairman Mao Tse-tung said: "The people's communes are good." This gave added impetus to the people of Sanlei's long-contemplated major attack on the deserts. On August 21, 1958, they formed the first people's commune in Minchin County.

Almost simultaneously a comprehensive plan for subduing the sandstorms was drawn up on an enlarged scale. The attack against sand-drift was no longer confined to the rim of the desert; the shelter belt was projected deep into its very heart and water was supplied by the excavation of canals. Formerly, the people considered themselves lucky if they could almost literally "keep their heads above the sand." Now the tables were turned and they were already thinking of transforming the desert, for all-round development of agriculture, forestry, animal husbandry, side-occupations and fishery. Some 6,000 com-

mune members penetrated the stronghold of the desert. In the winter of 1958 and spring of 1959, some 70,000 *mu* of desert was afforested and grass grown on 380,000 *mu* to seal off sand-drift; the young trees were planted to an area of 45,000 *mu*. While large numbers of people were engaged in afforestation, aeroplanes and tractors were also employed to sow grass seeds over large tracts of the desert. This support gave still greater confidence to the people in their ability to defeat the desert. Moreover, in collaboration with neighbouring communes, the Sanlei People's Commune undertook to build a large reservoir and canal in the desert. Completed this spring, all the cultivated land in the area are now ensured an unfailling supply of water.

The battle of the desert had decisively turned. The old pattern of men retreating before it was a thing of the past; whereas once the sands had crept up at the rate of three to eight metres annually, today men marched at twenty kilometres a year into its very heart and subjected it to their will.

In this life and death struggle with the "yellow dragon," the people of Sanlei grew immeasurably in wisdom and strength.

### The Advance

Under unified commune management, 23 forest stations were established to maintain the shelter belts and prepare for further inroads into the deserts. At the same time, they also engaged in fruit growing and cultivating such food crops as vegetables and oil-bearing plants around the contained sand dunes and in the shelter belts. Seven such forest stations have moved into the inner recesses of the desert where buildings with a floor space of 720 square metres have been erected. A new village has sprung up. The forest station over which Hsueh Wansiang has charge extended its domain ten kilometres into the desert.

Today, orchards are seen where once there was only wasteland. A shelter belt forty kilometres in length girdles the area from east to west, forming the front line in the battle against the sandstorms. And in the nurseries are the young, green saplings, reserves to be brought up for the further transformation of the desert in 1960.

In the first year following the establishment of the Sanlei People's Commune, its members reaped a rich harvest in grain and cotton crops. The grain output in 1959 was 16 per cent more than 1958; cotton output recorded an increase of 84.5 per cent over 1958. The income of the forest stations made up about 85 per cent of the total four-year income after the establishment of the agricultural producers' co-operatives. In 1959 with the development of production, the income of its members registered an average increase of 30 per cent over that of 1958.

Hsuehpai Village where only nine households had survived the exodus in the wake of the desert's invasion and remained on the eve of liberation now has more than 400 households.

The fatally weakened "yellow dragon of Tengri" still lives but the people of Sanlei Commune know how to deal with him. He is now little better than a "tame dragon."

# A SHORT HISTORY OF CHINESE PHILOSOPHY

by HOU WAI-LU

Written for the general reader, *A Short History of Chinese Philosophy* outlines the development of Chinese philosophy from ancient to modern times. It describes the controversies between materialism and idealism, and between dialectics and metaphysics, which run through the history of Chinese philosophical thought. It discusses the important philosophers of each period and their ideas with a brief analysis of the social-economic backgrounds of the various schools of thought.

Contemporary Chinese philosophy is treated at some length with an emphasis on the philosophical works of Mao Tse-tung during the period of the democratic revolution and the present period of socialist revolution.

178 pp.

Published by:

**FOREIGN LANGUAGES PRESS**  
Pai Wan Chuang, Peking (37), China

Distributed by:

**GUOZI SHUDIAN**  
P.O. Box 399, Peking, China

# CHINA AND THE WORLD

---

## **Chen Yi on Sino-Nepalese Friendly Relations**

Vice-Premier Chen Yi declared that China and Nepal should support each other and achieve common prosperity when on July 12 he received five visiting delegates of the Nepalese youth and students' organizations.

He expressed regret and apologies for the recent unfortunate and unexpected incident at the Sino-Nepalese border and appreciation for Nepalese Prime Minister Koirala's friendly attitude in handling the incident.

China and Nepal, he said, should live together in friendship because there is no conflict of fundamental interests between the two countries; nor is there any conflict of fundamental interests between any of the Asian and African countries. We are all friends and should all live together in friendship, he said. He noted that China and Nepal face the same tasks, both being economically backward and in need of building modern industry, exploiting their abundant natural resources and enhancing the material well-being of their peoples. We should support and help each other and achieve lasting friendly co-operation, he stated.

When a Nepalese guest expressed appreciation for China's economic assistance to Nepal, Vice-Premier Chen Yi observed that this aid was quite small. We help and support each other, he said, adding that the Government and people of Nepal have recognized the People's Republic of China and have stood for the restoration of China's legitimate position in the United Nations; this is support to us for which we express our gratitude.

Vice-Premier Chen Yi also said: We hope to see Nepal and the other Asian and African countries becoming even stronger and more prosperous. Your prosperity is a support to us just as ours is for the Asian and African countries. There is no jealousy between us, because only by supporting each

other and becoming stronger and more prosperous together can we smash the policies of aggression and war of the imperialists headed by the United States.

The Vice-Premier concluded the interview with these words: The peoples of our two countries will live together on friendly terms for thousands and tens of thousands of years to come. Our friendship can stand the test of time.

The Nepalese guests spoke warmly of what they saw in China and noted that they had found on their trip that the Chinese people cherish a profound friendship for the Nepalese people.

## **Monument to China-G.D.R. Friendship**

A big modern rayon plant recently went into operation in Hopei Province. It was designed and equipped with the help of the German Democratic Republic. In the course of its construction, more than 50 German experts came to China to give technical guidance and assistance and help train Chinese workers.

During the plant's inauguration ceremony, Tuan Yi, Vice-Governor of Hopei Province, expressed heartfelt thanks to the G.D.R. experts, declaring that the plant is "a precious embodiment of China-G.D.R. friendship." G.D.R. Ambassador Paul Wandel, guest of honour at the occasion, described the construction of the plant as an example of the fraternal co-operation of the socialist countries. He said: "Every plant we build with our common effort helps strengthen our forces, improve our peoples' living standards and at the same time directs heavy blows at our common enemy—U.S. imperialism."

## **Chinese Rice Transplanters To Cambodia**

Two Chinese rice transplanters have recently been shipped to Phnom Penh by special plane. They are the gifts of Premier Chou En-lai to Prince Sihanouk, head of state of Cambodia. During his recent visit to Cambodia, Premier Chou En-lai was asked for the designs of the Chinese invented rice transplanters. The Chinese Premier offered to send both designs and machines.

Ho Chi-sheng and Ni Yi-wei, designers of these transplanters, have also arrived in Phnom Penh. They will show the Cambodian peasants how to operate and make the machines.

As in other Asian countries, the Cambodian peasants do their rice shoot transplanting by hand and this is extremely strenuous labour.

## **Sino-Burmese Joint Survey Team**

The first Sino-Burmese joint survey team concluded its initial meeting on July 14 at Wanting on the Chinese side of the border. Presiding were Yao Chung-ming, chief delegate to the Sino-Burmese Boundary Joint Committee for the Chinese side, and Brigadier-General Aung Gyi, chief delegate for the Burmese side. Members of the team have agreed on the concrete steps of their joint survey work and team leaders from both sides expressed determination to work in close co-operation and confidence in accomplishing the tasks set by the joint committee in the appointed time.

## **Ceylonese Dance Troupe**

A Ceylonese dance troupe headed by T.P. Amerasinghe now touring China is performing to packed houses. Peking audiences are particularly impressed by the strong national flavour of its dances and the superb skill of the dancers. Its premiere was attended by many of the capital's leading public and cultural figures and by the Ceylonese Ambassador W. Gopallawa.

## **Indian Trespass on Chinese Territory**

While Indian Prime Minister Nehru was active in areas near the Sino-Indian border, three horses, coming eastward from the direction of Chusul in Ladakh, Kashmir, crossed the border into Chinese territory west of Spanggur in the Pangong Lake area in western Tibet at about 9:00 hours on July 2. At 19:20 hours, two Indian personnel trespassed on Chinese territory at the same point.

These Indian personnel who trespassed on Chinese territory, together with the horses, were released from Chinese territory by the Chinese frontier guards after they had admitted their surreptitious trespassing was illegal and acknowledged their mistake in writing.

# CHINESE PRESS OPINION

## *Unite and Struggle to Win World Peace*

The Bureau of the World Peace Council at its recent meeting in Stockholm discussed important questions concerning world peace and adopted a General Declaration and other resolutions. *Renmin Ribao* in an editorial (July 15) warmly congratulating the meeting on its success declared that it has made fresh contributions to the struggle of the world's peoples against imperialism and to defend world peace.

The General Declaration and other resolutions, the speeches by the representatives of various countries reflected the firm confidence of the world's peoples in safeguarding world peace, and their unflagging, militant determination in opposing imperialism's policies of war and aggression, says the editorial.

This meeting, the editorial continues, has shown the peoples of the world the bright prospects for winning world peace giving them confidence and courage, so that they should not be cowed by the war threats of imperialism; at the same time it called on the peoples of the world to maintain keen vigilance against the danger of imperialism starting war.

The General Declaration points out: "The peoples of the world are becoming more and more aware of who are the enemies of peace. To frustrate their efforts, the world peace movement must intensify its struggle with more strength and vigour than ever. And for this struggle all forces of peace throughout the world must maintain and develop the closest unity and collaboration." This point put forward by the General Declaration is of great significance, the editorial notes. The peoples of the world have realized more and more clearly that U.S. imperialism is the most vicious and frantic enemy of world peace, an enemy armed to the teeth; and that they absolutely must not entertain any unrealistic illusions about it, the editorial points out. Only when the peoples of the world carry on their unyielding struggle against U.S. im-

perialism without pause and further strengthen their unity and support each other in that struggle, can they concentrate the strongest forces, constantly inflict defeats on the main enemy of world peace and firmly hold the cause of world peace in their hands.

The national and democratic movement in Asia, Africa and Latin America is one of the important forces to defeat the imperialist forces of war; the vigorous development of this movement has influenced and advanced the world peace movement, says the editorial.

Resolutions adopted by the Stockholm meeting support the Cuban Government and people, strongly condemn U.S. imperialism's aggression against Cuba, firmly support the struggle waged by the Congolese people in upholding their independence, condemn the aggressive activities of the Belgian colonialists in the Congo, and pledge to make every effort to support the Japanese people's just and patriotic struggle to scrap the Japan-U.S. treaty of military alliance. The General Declaration also points out: "The recent events in south Korea, Turkey and Japan should be an example to all of us."

At the same time, delegates from the Asian and African countries who attended this meeting held a special meeting and unanimously adopted a declaration, warmly supporting the struggles waged by the peoples of Japan, Turkey, south Korea, south Viet Nam, Algeria, the Congo, Tunisia, Morocco, Kenya, Zanzibar, Cuba and other Asian, African and Latin American peoples against imperialism and colonialism, and calling upon the peoples of the Asian and African countries to sharpen their vigilance and smash the imperialists' plots to divide them. This declaration is undoubtedly a powerful inspiration to all the oppressed nations in their struggle for independence. The continued development of the national independence movement is transforming more and more colonies and semi-colonies from being the rear of the imperialists into a front against them and is bound to greatly weaken the imperialist

forces and strengthen the forces defending world peace, says the editorial.

The General Declaration points out that the immediate objectives of the peoples of all countries in their fight for peace include: the calling of a conference of all states for disarmament; a ban on the testing of all nuclear weapons; a ban on all plane flights carrying nuclear weapons; dismantling of all military bases on foreign territory; abolition of all military pacts, etc. The socialist countries headed by the Soviet Union have stood consistently for the peaceful coexistence of countries with different social systems and exerted unremitting efforts for the realization of general disarmament. However, facts have proved again and again that it is the imperialist countries headed by the United States that obstruct the realization of peaceful coexistence between countries with different social systems, and it is they too that lack sincerity for disarmament. Therefore, only by relying on the ever growing united strength of the socialist camp, the national and democratic movement and all peace-loving people of the world and persisting in protracted, unremitting struggles against imperialism, will it be possible to prevent U.S. imperialism from turning the "cold war" into a hot one, and compel the imperialist countries to sit down and negotiate in earnest and reach certain agreements on the disarmament question. Only by so doing will it be possible to force the imperialist countries to accept, to varying extents, peaceful coexistence of countries with different social systems.

The Chinese people ardently love peace. Together with the Soviet Union, other socialist countries and all peace-loving people of the world, they have made constant efforts against imperialist aggression and for world peace. In his speech to the meeting, Comrade Liao Cheng-chih, head of the Chinese delegation, explained in detail the consistent efforts of the Chinese people in striving for world peace and our views on safeguarding world peace. His speech won praise and support from the delegates of various countries present at the meeting. The editorial concludes with an expression of deep conviction that, with the present excellent situation for the world peace movement, so long as peoples of all

countries form the broadest international united front, hold high the banner of opposing imperialist aggression and striving for world peace, wage resolute struggles against U.S. imperialism—the most vicious enemy of world peace, and continue to thwart U.S. imperialist policies of war and aggression, greater and greater victories will surely be won in defence of world peace!

**March Forward, Fraternal Vietnamese People!**

As July 20, the 6th anniversary of the signing of the Geneva agreements approaches, the angry flames of the anti-U.S. struggle of the Vietnamese people rise higher and higher. Storms against U.S. imperialism and its lackeys are breaking throughout Viet Nam, says *Renmin Ribao* in an editorial (July 17).

Referring to the heroic and unyielding struggle of the people in both the northern and southern parts of Viet Nam against U.S. imperialism and its lackeys the Ngo Dinh Diem clique, the editorial states that the Vietnamese people's boundless indignation and hatred of U.S. imperialism and the firmness of their fighting will are entirely understandable.

In the past six years, the editorial observes, the U.S. has discarded outright its solemn guarantee given at the 1954 Geneva Conference not to use force to hamper the implementation of the Geneva agreements, and has constantly violated these agreements by sending new weapons and military personnel to the southern part of Viet Nam and other areas in Indo-China in an attempt to perpetuate the division of Viet Nam and its occupation of the southern part of Viet Nam making the latter its base for aggression. The "U.S. Military Assistance Advisory Group" has become the overlord riding roughshod over the people of the southern part of Viet Nam. The U.S. has directly participated in the "mopping up" of former resistance members and massacred Vietnamese patriots. It has created tension in Indo-China by using the Ngo Dinh Diem troops to carry out provocations against the Democratic Republic of Viet Nam and against the Kingdom of Cambodia which pursues a policy of peace and

**Ecce Homo!**

"Man" was the glorious theme of a three-day U.S. Army publicity show recently completed at Fort Benning, one of the big military bases. Six hundred "distinguished guests" were present including journalists, industrialists and politicians headed by Eisenhower.

Why this sudden glorification of Man? A belated attack of humanitarianism? Not quite. The operations included a live-fire demonstration using artillery, flame-tanks, illuminants and rockets designed for nuclear warheads. Army Secretary Brucker declared that Man was not only a tactical weapon, but actually a strategic weapons system. Man, declared General Lemnitzer, was, in fact the "ultimate weapon." In a word, the U.S. Army was campaigning for more funds to finance its war preparations to annihilate as many men as possible.

**Clearly Complicated**



In case anyone is still mystified by the current confusions of U.S. foreign policy statements, he can hardly do better than read Eisenhower's explanation of what "carrying on a foreign policy" means. Speaking at a press conference, he said (and we quote *verbatim*, from *The New Republic*): "That is a very complicated thing. . . . This is so complicated that you have to go—you try to lay out a program, a plan, but—work it if you have got it here, if you go here you have to defend it from that, you have to move over there."

Evidently the constant effort of arguing that black is white and that aggressive spy flights are defensive, etc. gets a hold on one.

neutrality. Recently, it has attempted with greater unscrupulousness than ever to increase its military personnel in the southern part of Viet Nam, in an effort to further turn that area into a U.S. military base and colony. Meanwhile, the Indian and Canadian delegates to the International Commission in Viet Nam, by adopting wrong decisions in this connection, have in effect aided U.S. imperialism, the editorial points out.

U.S. criminal activities in undermining the Geneva agreements have enabled the Vietnamese people to see more and more clearly that U.S. imperialism is not only the enemy of the peaceful reunification of Viet Nam, but also the root cause of the unstable situation in Indo-China, the editorial continues.

Like all greedy colonialists who will never give up their colonies voluntarily, U.S. imperialists who vainly seek to dominate the world, will never withdraw from the southern part of Viet Nam of their own accord. But their continued presence and increasingly unscrupulous intervention there only stir up heightened indignation and resistance on the part of the Vietnamese people in the south and will finally lead to the very opposite

of what the U.S. intended. The southern part of Viet Nam is one more volcano under the feet of the U.S. aggressors.

The editorial goes on to say that at present, the situation is excellent for the struggle of the Vietnamese people. The brilliant achievements in socialist construction in the northern part of Viet Nam are a source of inspiration and encouragement to the Vietnamese people in the south. The northern part of Viet Nam which has secured peace, independence and democracy and is energetically fighting for the peaceful reunification of Viet Nam and its prosperity and might, has naturally become the standard bearer and hope of all Vietnamese people.

No one can prevent the heroic Vietnamese people from advancing, the editorial concludes. In the past, the Vietnamese people defied hardships and made sacrifices in their undaunted struggle, defeated the French colonialists and U.S. interventionists and thus won peace in Indo-China. Today, with the same persistent and protracted struggle they will certainly be able to drive out the U.S. aggressors and realize peaceful reunification of their motherland.

# SIDELIGHTS

**Aiding the Farmer.** Many thousands of skilled workers and technicians from factories are in the countryside helping the people's communes build industry and train operators and people to service the increasing amount of farm machinery. Teachers and students of universities and colleges too are also working regularly in the countryside. Working with the farmers and grappling with real problems has benefited students and farmers alike. A tractor which after testing proved suited to the peculiar farming conditions of South China was developed by the South China Engineering Institute after the students had worked and spent much time with the farmers in the fields. This tractor, like one of the successful rice transplanters and other new farming tools, is the result of pooled effort.

The armed forces during their spare time have been making motors, irrigation equipment and farm machines for the peasants in their workshops. At present thousands of technicians from the P.L.A. are working shoulder to shoulder with the peasants in the fields. The air force has flown many successful rain-making sorties in North China. Vast desert areas in the Northwest have been sown by P.L.A. aircraft with hardy types of grass to check erosion and shifting sand. In the Northeast, fish fry from Hupeh, China's biggest fresh fish producing province, have been airdropped to local fish farmers to stock their ponds and newly-built reservoirs.

**Unwanted.** It is certain death for a fly or mosquito to try to sneak a train-ride into Peking. The battle cry on the train carrying us back to Peking after a day's work at a nearby farm was: "Not a fly or mosquito accompanies us into Peking!" Fly-swats were handed out by the conductors to hundreds of eager hands thirsting to get at the declared enemies of the people. The whole train was filled with swishing, smacking and triumphant hurrahs. The conquered, lifeless little pests were swept up and the whole inside of the train dusted and swabbed until the train was spick

and span as at the beginning of the journey. As we were pulling in to the Peking station the train's health inspection team announced that not one live fly or mosquito was found in any of the carriages.

**Another Step Forward.** Shansi today is a province where illiteracy has practically been eliminated thanks to prompt and effective measures by the provincial Party committee and the widespread popularization of the phonetic script. School children can master this alphabet in less than the number of hours in a day. Their elders, often with their help, can with this new aid read and write in a matter of a few score hours. Wanjung County in the southern part of this province has recently hit national headlines with its successes in this field. To a province like Shansi today, the changing of the provincial paper *Shanxi Nongmin Bao* (Shansi Peasant) into a newspaper annotated throughout with phonetic script, the *Shanxi Zhuyin Bao* (Shansi Phonetic Newspaper), is a welcome and logical development. The first paper of its kind, of provincial status, it will help consolidate and develop the newly-literates' mastery of the language and keep them informed up-to-the-minute on domestic and international affairs as well as on new farming methods and machines.

**Travel Is a Great Teacher.** "Dear Comrade Editor," began Liu Hsiao-hai in his letter to *Renmin Ribao* last week about his experience on a train. "After our Taiyuan-bound express pulled out of Peking in the late afternoon, the train's public address system announced that a lesson in the proper pronunciation of the common speech was about to begin. There was a rustle as paper, pens and pencils were readied. On the walls were posters displaying the characters and

phonetics by which we followed the lesson.

"I am a Southerner, and as we all know, for a Southerner to speak correct common speech is not easy. As it is my habit to always try to improve my pronunciation, this opportunity was very welcome. The rapt attention of my fellow passengers showed that I was not the only one who had this aim.

"For the next hour or so, the carriages were filled with the sound of passengers teaching and learning the correct pronunciation. I practised while my fellow travellers corrected me. It brought a good many laughs but helped improve my speech considerably. Time passed very quickly.

"When I got off at Shihchiachuang, I think I spoke a much more intelligible common speech than a few short hours ago. I would like to thank the staff of the railway department for thinking up so many ways to make travelling comfortable, entertaining and profitable."

**Entertaining Education.** Regular film shows for the peasants of Hopei are given by some 1,140 mobile projection teams, nearly a quarter are equipped and staffed by the province's rural people's communes.

Documentaries, scientific newsreels and feature films shown by these visiting teams both entertain and educate hundreds of thousands of people in the countryside each week and keep them informed by sight and sound of new developments. These film shows also directly aid farm production as they explain visually to the peasants new farming techniques, irrigation works, insect pest control, health, crop experiments and the advanced experience of people's communes in other parts of the country.

**Ex-Cowherd Lectures Students.** Only 23 this year, Hsu Jung-ching was a cowherd in 1956 but today he regularly lectures at the Nanking Chemical Engineering Institute. His first lecture was on the assessment of free calcium oxide and problems related to the formation of asbestos and cement. It is a big leap from cows to chemicals but in this society this is neither unexpected nor extraordinary. What is noteworthy is



his diligence and unshaken will to learn.

When he came to the institute as an odd-job man three years ago, this son of a poor peasant family had had only five years of schooling. He joined an evening school shortly after he arrived and during the day found time to attend the institute's lectures between sweeping up the classrooms and other jobs. The Party organization of the institute noted this and encouraged him in his studies. Later he helped teachers in the laboratory prepare experiments. It was not long before he himself was experimenting with experiments and writing down what he had done. He spent every minute of his off-hour studying physics, mathematics and chemistry and

soon was helping students and giving lab. demonstrators invaluable help.

Then the Party organization appointed an experienced teacher to help him in his studies and work with him on experiments. After this his progress was rapid, and before several months had passed, was so proficient in his field that he was qualified to lecture on his own.

"The Party gave me the chance and the help to become an educated worker," he told his first class. "And I shall do my best to improve my work and knowledge in this field so the better to train the personnel so urgently needed to build our country."

## WHAT'S ON IN PEKING

### — Highlights of Current Entertainment, Exhibitions, etc. —

Programmes are subject to change. Where times are not listed consult theatre or daily press.

#### PEKING OPERA

▲ **AUTOMOBILE TOWN** A new Peking opera produced by the visiting Peking Opera Troupe of Changchun Municipality. An interesting example of the use of a traditional form to depict contemporary socialist life. A young automobile worker boldly suggests plant equipment improvements and expresses the will to carry them out. The conservative head of his workshop rejects his suggestions considering them beyond the capacity of the young worker. With the support of the Party and his fellow workers he eventually succeeds with a consequent great leap in the plant's working efficiency. July 19, 7:30 p.m. *The Cultural Palace of Nationalities*

#### CHINESE DANCE DRAMA

▲ **PRECIOUS LOTUS LANTERN** A dance drama based on an ancient Chinese fairy tale, about the love story between the nymph of Mt. Huashan and a scholar. Produced by the Central Experimental Opera Theatre. July 20-24, 7:30 p.m. *Tianqiao Theatre*

▲ **RED CLOUDS** tells how the Li minority people on Hainan Island suffered under Kuomintang oppression and how they gained their freedom. Produced by the Central Experimental Opera Theatre. July 26 & 27, 7:30 p.m. *Tianqiao Theatre*

#### SHAOHSING OPERA

▲ **XIAO HU LEI** Adapted from the play of the same title written by the Ching Dynasty playwright Kung Shang-jen, this production is set in the Tang Dynasty, produced by the Peking Shaohsing Opera Troupe. The legend of a young girl skilled in playing the *xiao hu lei*, a stringed musical instrument which has been presented to her by her lover as a gift, and of which there is only one in all China. The emperor sends a subordinate to snatch the precious instrument, but after a series of adventures in which the girl shows courage in her defiance of the emperor, she succeeds in winning back her beloved *xiao hu lei*. July 20-28, 7:30 p.m. *Peking Workers' Club*

#### SONG AND DANCE

The Cultural Troupe of the General Political Department of the P.L.A. presents

a programme of songs, dances and instrumental music.

July 23 & 24, 7:30 p.m. *Wu Dao Kou Club*

#### ACROBATICS

The Art Theatre of the Ministry of Railways in its thrilling acrobatic performances of some 20 routines on July 27 & 28, 7:30 p.m. At *Cultural Palace of Nationalities*.

#### THEATRE

▲ **PEOPLE OF THE NORTHERN WASTELAND** A play produced by the China Youth Art Theatre. It is about the heroic exploits of the demobilized People's Liberation Army men pioneering new lands. July 19-27, 7:30 p.m. *China Youth Art Theatre*

▲ **FORWARD, HEROIC JAPANESE PEOPLE!** A play produced by the China Children's Theatre. It describes the nationwide demonstrations in Japan against U.S. imperialism and the Kishi regime. July 19-24, 7:00 p.m. *Peking Theatre*

▲ **LOYALTY TO THE PARTY** A play produced by the Hunan Drama Troupe. It describes the inner-Party struggle against Chen Tu-hsiu's opportunism which resulted in the Party suffering heavy losses. July 25 & 26, 7:30 p.m. *Cultural Palace of Nationalities*

#### FILMS

▲ **TRUE HEROES ARE FOUND TODAY** A feature film in colour jointly produced by the Tienma and Haiyen Film Studios tells the story of a scientific instrument plant worker who stubbornly conducts 371 experiments to solve a complex technical problem and contribute to the campaign of technical innovations and technical revolution. July 19-23, *Da Hua, Jiao Dao Kou, Ertong*

▲ **FIRST SPRING OF THE 60s** A feature film in colour jointly produced by the Tienma and Haiyen Film Studios. The workers of the Lian Hua Stripe Works in Shanghai inspired by the general line for building socialism work out a plan for mechanization within the amazing period of seven days. July 19-23, *Shoudu Cinema, Peking Exhibition Centre Cinema, Xin Jie Kou*

▲ **CHAO I-MAN** A feature film about the dauntless struggle waged by the woman guerrilla leader, Chao I-man, against the Japanese invaders in Northeast China from

**Sanatorium for Children.** Tachalan People's Commune, recently established in Peking proper, reports that it has set up its own children's sanatorium. Staffed by nurses trained at one of the capital's modern children's hospitals and assisted by several qualified dieticians and pediatricians, this sanatorium provides the prompt and proper treatment required for quick recovery to the commune's ailing young.

"We give our little patients the best attention possible, relieving their parents of all fuss and worry," a staff member explained to visitors. "With our trained staff and facilities, I think we are able to ensure better care and attention to the children than most homes."

1933-36. Produced by the Changchun Film Studio.

July 19-21, *Shengli, Xi Dan Workers' Club*

▲ **ORDEAL BY IRON AND FIRE** A feature film produced by the Tienma Film Studio, about an outstanding young worker in a Shanghai generator plant who devotes his life to the Party and the working class. July 22-24, *Xin Zhong Guo, Guang He Theatre*

▲ **THE WHITE-HAIRED GIRL** An old feature film rescreened. Adapted from the classic opera of the same title, it tells the story of a peasant girl who, forced to flee to a mountain wilderness from landlord oppression, returns to her home village after liberation. July 19-21, *Xin Zhong Guo, Guang He Theatre*

▲ **FROM VICTORY TO VICTORY** A feature film showing how by carrying out Chairman Mao's strategy of mobile warfare, the People's Liberation Army defeats the KMT reactionaries in eastern China during the War of Liberation. July 22-24, *Shengli, Xi Dan Workers' Club*

#### EXHIBITIONS

▲ **NATIONAL FINE ARTS EXHIBITION** Oil paintings, water colours, graphic arts etc.

8:30 a.m.-5:00 p.m. At *Palace Museum*  
8:30 a.m.-6:00 p.m. At *Beihai Park*  
8:30 a.m.-6:30 p.m. At *the Gallery of the Artists' Union*

▲ **GRAPHIC ART EXHIBITION OF THE PEOPLE'S REPUBLIC OF POLAND** Showing of contemporary Polish artists. Open daily (except Mon.) from 8:30 a.m.-12:00 noon, 2:00-6:30 p.m. At *Zhongshan Park*

▲ **PHOTO EXHIBITION OF THE PEOPLE'S REPUBLIC OF POLAND** Showing the achievements made by the Polish people in every field of national life. Open daily from 8:30 a.m.-12:00 noon, 2:00-6:30 p.m. At *Temple of Heaven*

▲ **HANDICRAFT EXHIBITION OF THE PEOPLE'S REPUBLIC OF MONGOLIA** Open daily (except Mon.) from 8:30 a.m.-12:00 noon, 2:00-6:30 p.m. At *Temple of Heaven*

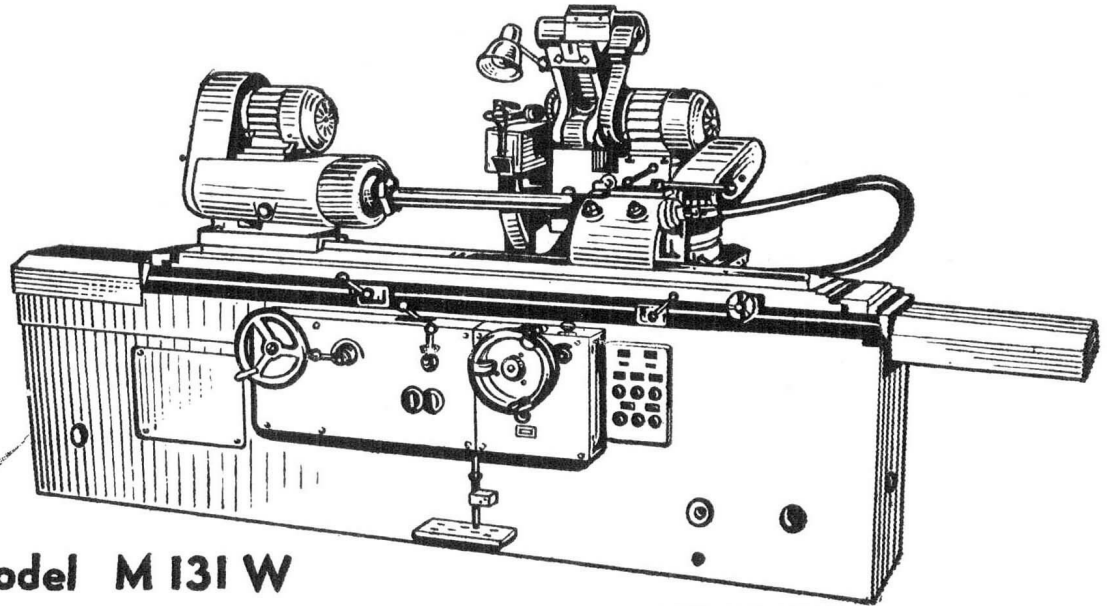
▲ **EXHIBITION OF BRITISH OIL PAINTINGS** Display of oil paintings by contemporary British artists. Open daily (except Mon.) from 8:30 a.m.-12:00 noon, 2:00-6:30 p.m. *Workers' Cultural Palace*

# Hydraulic Universal

# GRINDING MACHINE

Available in centre distance of 710, 1,000 & 1,400mm.

Designed for mass or single unit production for cylindrical,  
external, internal and face grinding



**Model M 131 W**

- Rigid construction
- Hydraulic table traverse
- Hydraulic infeed of grinding wheel

#### HIGH SURFACE FINISH

0.8-1.6 micron or better  
for external grinding

1.6-3.2 micron or better  
for internal grinding

*For Better Production Try a China-Made Grinding Machine*

## 中国机械进口公司

## CHINA NATIONAL MACHINERY IMPORT CORPORATION

(IMPORTERS AND EXPORTERS)

HEAD OFFICE: Erh Li Kou, Hsichiao, Peking, China

SHANGHAI BRANCH: 27 Chungshan Road Et, Shanghai, China

TIENTSIN BRANCH: 14 Chang Teh Road, Tientsin, China

CANTON BRANCH: 2 West Bund Road, Canton, China

TSINGTAO BRANCH: 82 Chungshan Road, Tsingtao, China

Cable Address: MACHIMPORT Peking

Cable Address: MACHIMPORT Shanghai

Cable Address: MACHIMPORT Tientsin

Cable Address: MACHIMPORT Canton

Cable Address: MACHIMPORT Tsingtao